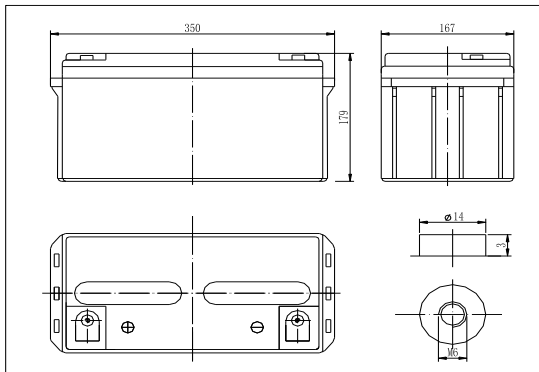


RPower OGiV12650LP (12V 65Ah AGM Battery)

Floating Life at 20°C designed for up to 12 years

EAN: 4260349823395

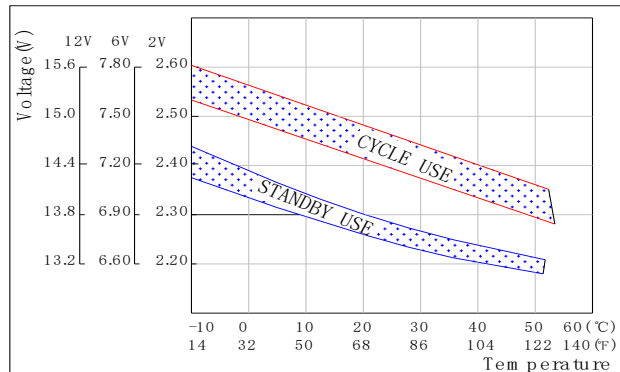
Dimensions



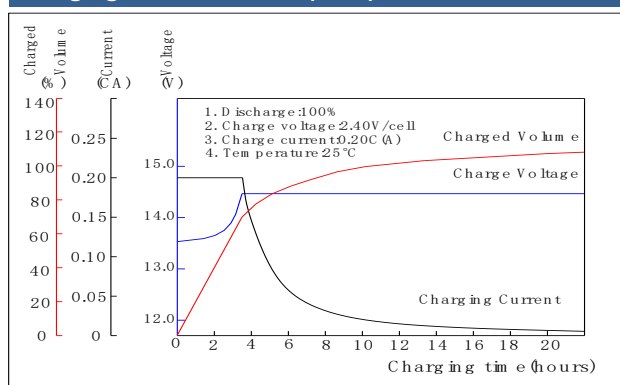
Specifications

Nominal Voltage		12V
Capacity (10hr@25°C@1.80V/C)		65Ah
Dimensions (±2mm)	Length	350mm (13.8inch)
	Width	167mm (6.57inch)
	Height	179mm (7.05inch)
	Total Height	179mm (7.05inch)
Approx. Weight		22.40kg (49.38lbs)
Maximum charging current		19.5A
Maximum discharge current		650A (5sec.)
Internal resistance		Approx. 6.0mΩ
Capacity affected by temperature (20hr)	40°C	103%
	25°C	100%
	0°C	86%
	-15°C	65%
Self-discharge (25°C)	3 month	Remaining Capacity: 91%
	6 month	Remaining Capacity: 82%
	12 month	Remaining Capacity: 65%
Nominal operating temperature		25°C ±3°C (77°F±5°F)
Operating temperature range		-20°C~55°C (-4°F~131°F)
Float charging voltage (25°C)		13.65 to 13.80V
Cyclic charging voltage (25°C)		14.40 to 15.00V
Terminal material		Copper

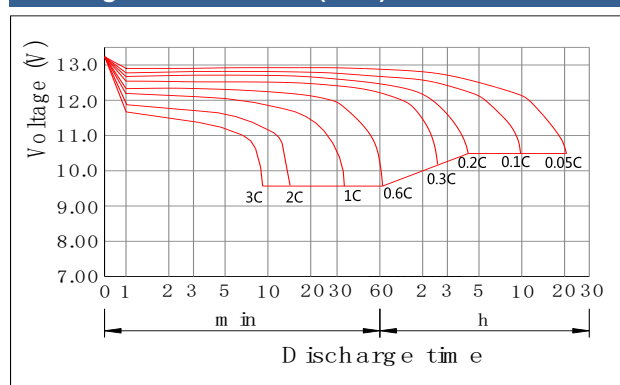
The Relationship for Charging Voltage and Temperature



Charging Characteristics (25°C)



Discharge Characteristics (25°C)



Constant Current Discharge Characteristics (Ampere / Battery, 25°C)

FV / TIME	5min	10min	15min	20min	30min	45min	1h	2h	3h	4h	5h	6h	8h	10h	20h
10.98V	154,23	112,52	93,61	74,21	58,10	44,14	37,83	21,53	14,94	11,83	10,28	8,70	7,13	6,31	3,26
10.80V	159,00	116,00	96,50	76,50	59,90	45,50	39,00	22,20	15,40	12,20	10,60	8,97	7,35	6,50	3,36
10.50V	172,00	127,00	104,00	83,20	62,20	46,70	39,90	22,80	15,70	12,50	10,80	9,14	7,48	6,52	3,40
10.20V	184,00	138,00	110,00	86,10	64,30	47,80	41,00	23,30	16,10	12,70	11,00	9,32	7,65	6,54	3,43
9.90V	196,00	149,00	116,00	88,30	66,30	48,80	42,00	23,80	16,50	12,90	11,20	9,50	7,80	6,56	3,46
9.60V	207,00	154,00	121,00	93,80	68,40	49,50	43,10	24,40	16,90	13,40	11,50	9,80	8,00	6,58	3,48

Constant Power Discharge Characteristics (Watt / Battery, 25°C)

FV / TIME	5min	10min	15min	20min	30min	45min	1h	2h	3h	4h	5h	6h	8h	10h	20h
10.98V	1699,44	1233,84	1030,14	808,98	651,84	508,09	423,11	252,01	181,00	139,10	124,55	101,85	82,99	72,75	36,96
10.80V	1752,00	1272,00	1062,00	834,00	672,00	523,80	436,20	259,80	186,60	143,40	128,40	105,00	85,56	75,00	38,10
10.50V	1824,00	1374,00	1116,00	906,00	684,00	537,60	441,00	267,00	190,80	147,00	129,60	106,80	87,06	75,60	38,58
10.20V	1950,00	1458,00	1140,00	942,00	702,00	550,20	451,80	273,00	194,40	149,40	130,80	109,20	89,04	76,13	38,88
9.90V	2076,00	1548,00	1158,00	966,00	708,00	561,60	462,00	279,00	198,60	151,80	133,80	111,00	90,78	76,20	39,24
9.60V	2208,00	1632,00	1182,00	1026,00	714,00	570,60	472,80	285,00	202,80	157,80	135,00	114,60	93,12	76,80	39,48