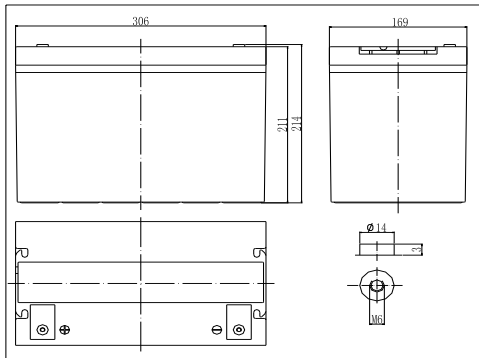


# RPower OGiV12900LP (12V 90Ah AGM Battery)

Floating Life at 20°C designed for up to 12 years

EAN: 4260349823425

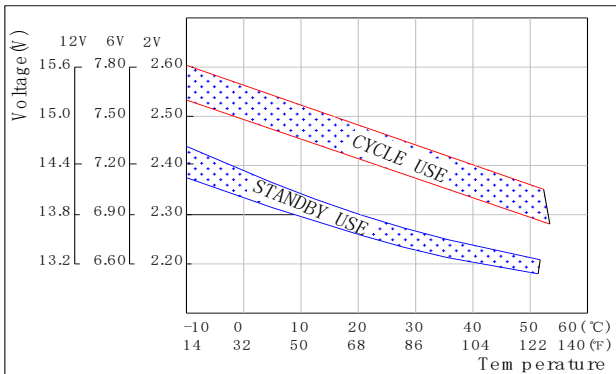
## Dimensions



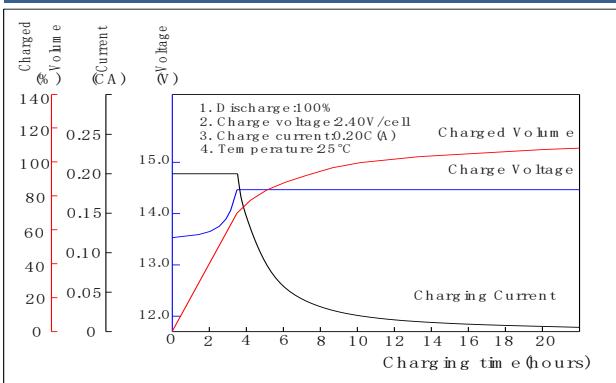
## Specifications

Nominal Voltage		12V
Capacity (10hr@25°C@1.80V/C)		90Ah
Dimensions (±2mm)	Length	306mm (12.0inch)
	Width	169mm (6.65inch)
	Height	211mm (8.31inch)
	Total Height	216mm (8.50inch)
Approx. Weight		26.50kg (58.42lbs)
Maximum charging current		27A
Maximum discharge current		900A (5sec.)
Internal resistance		Approx. 5.7mΩ
Capacity affected by temperature (20hr)	40°C	103%
	25°C	100%
	0°C	86%
	-15°C	65%
Self-discharge (25°C)	3 month	Remaining Capacity: 91%
	6 month	Remaining Capacity: 82%
	12 month	Remaining Capacity: 65%
Nominal operating temperature		25°C ±3°C (77°F±5°F)
Operating temperature range		-20°C~55°C (-4°F~131°F)
Float charging voltage (25°C)		13.65 to 13.80V
Cyclic charging voltage (25°C)		14.40 to 15.00V
Terminal material		Copper

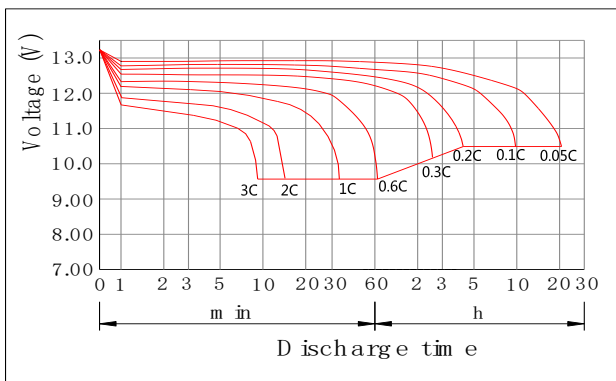
## The Relationship for Charging Voltage and Temperature



## Charging Characteristics (25°C)



## Discharge Characteristics (25°C)



## Constant Current Discharge Characteristics (Ampere / Battery, 25°C)

FV / TIME	5min	10min	15min	20min	30min	45min	1h	2h	3h	4h	5h	6h	8h	10h	20h
10.98V	--	150,35	122,22	95,06	77,60	58,20	47,05	29,20	21,15	16,88	14,55	12,61	10,19	8,73	4,53
10.80V	--	155,00	126,00	98,00	80,00	60,00	48,50	30,10	21,80	17,40	15,00	13,00	10,50	9,00	4,67
10.50V	--	170,00	136,00	104,00	83,20	62,00	50,00	31,00	22,50	18,10	15,40	13,30	10,70	9,05	4,72
10.20V	--	183,00	145,00	111,00	86,40	63,60	51,30	31,80	23,00	18,70	15,70	13,70	10,90	9,10	4,78
9.90V	--	195,00	154,00	119,00	89,30	65,10	52,50	32,40	23,50	19,30	16,00	13,90	11,00	9,15	4,82
9.60V	--	207,00	162,00	127,00	92,00	66,50	53,50	33,00	24,00	19,80	16,20	14,10	11,10	9,20	4,92

## Constant Power Discharge Characteristics (Watt / Battery, 25°C)

FV / TIME	5min	10min	15min	20min	30min	45min	1h	2h	3h	4h	5h	6h	8h	10h	20h
10.98V	--	1833,30	1501,56	1117,44	884,64	669,30	552,90	329,41	251,42	190,31	174,60	143,75	114,65	100,10	52,21
10.80V	--	1890,00	1548,00	1152,00	912,00	690,00	570,00	339,60	259,20	196,20	180,00	148,20	118,20	103,20	53,82
10.50V	--	2010,00	1626,00	1224,00	948,00	708,00	582,00	349,20	265,20	204,00	183,00	151,80	120,60	103,80	54,36
10.20V	--	2100,00	1686,00	1308,00	978,00	726,00	594,00	358,20	270,60	211,20	185,40	156,00	123,00	104,40	55,08
9.90V	--	2178,00	1734,00	1398,00	1008,00	738,00	606,00	366,00	276,00	217,80	187,20	158,40	124,20	105,00	55,50
9.60V	--	2250,00	1830,00	1494,00	1032,00	750,00	618,00	372,00	280,80	223,20	189,00	160,80	125,40	105,60	56,70