

## Beschreibung

ASR-01 ist ein Bluetooth-steuerbarer, Casambi-fähiger Zweikanal-0-10-V-Controller für dimmbare LED-Lasten und Leuchten. Es wird von einem externen 12-24 VDC Class 2-Netzteil gespeist.

ASR-01 kann zwei Kanäle steuern und ist somit ein idealer Partner für tuneable-white (TW) Anwendungen. Die beiden Kanäle können auch so konfiguriert werden, dass sie einzeln arbeiten. Das Gerät verfügt zusätzlich über einen Steueranschluss für ein externes Relais und einen Sensoreingang.

ASR-01 ist ein idealer Partner für Netzteile mit Netzspannungsrelais. ASR-01 ist gegen Überspannung, Überstrom und Kurzschluss geschützt.

CBU-PWM4 kann mit der Casambi-App gesteuert werden, die kostenlos im Apple App Store und im Google Play Store heruntergeladen werden kann.

Ein vollständiges und voll ausgestattetes Lichtsteuersystem, bei dem bis zu 127 Einheiten automatisch ein intelligentes Maschennetz bilden.

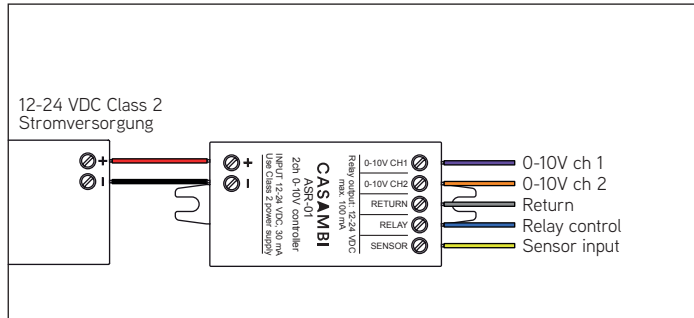


Kompatible Geräte:

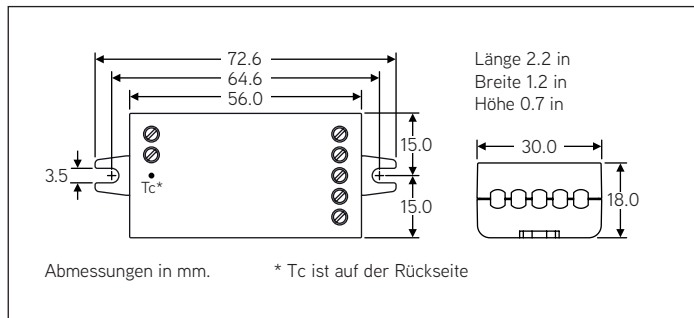
iPhone 4S oder neuer  
iPad 3 oder neuer  
iPod Touch 5th gen oder neuer

Android 4.4 oder neuere Geräte,  
nach 2013 hergestellt, mit BT 4.0  
Unterstützung

## Anschlussplan



## Abmessungen



## Technische Daten

### Eingang

Spannungsbereich: 12-24 VDC, Class 2  
Eingangsstrom ohne Last: 30 mA

### 0-10V Ausgang (2 channels)

Output voltage: 0-10 VDC, regelbar  
Max. Ausgangsstrom: 5 mA, sinking and sourcing

### Relaissteuerausgang

Ausgangsspannung: 12-24 VDC, wie Eingang  
Max. output current: 100 mA

### Sensoreingang

Eingangsspannung: Max. 24 VDC  
Eingangswiderstand: 81.5 kΩ

### Funkmodul

Betriebsfrequenzen: 2.401-2.483 Ghz  
Max. Ausgangsleistung: typ. +0 dBm, +/-3dBm

### Betriebsbedingungen

Umgebungstemperatur, ta: -13...+113°F (-25...+45°C)  
Max. Gehäusetemperatur, tc: +167°F (+75°C)  
Lagertemperatur: -13...+167°F (-25...+75°C)  
Max. Luftfeuchtigkeit: 0...80%, non-cond.

### Anschlussklemmen

Fest & mehrdrig: 0.5 - 1.5 mm<sup>2</sup>  
14 - 22 AWG  
Abisolierlänge: .25" (6 - 7 mm)  
Anziehkraft: 0.4 Nm / 2.6 Lb-in

### Mechanische Daten

Abmessungen: 2.2 x 1.2 x 0.7 inch  
72.6 x 30.0 x 18.0 mm  
Gewicht: 0.8 oz (23 g)

FCC ID: 2ALA3-CBUASR  
IC: 22496-CBUASR  
UL Listed  
UL Plenum Rated (UL 2043)

## Installation

ASR-01 is a UL Listed Open-Type device which means that it will have to be used together with a Class 2 power supply with maximum output power of 100 VA. The product can be installed outside of a junction box. Make sure to comply with National Electric Code in installation and when selecting installation wires.

The products has one return line which is shared between the two 0-10V outputs, relay control output and sensor input.

The two 0-10V outputs can be configured for different functions, such as 2 channel tunable white, or 1-2 jointly and individually dimmable channels. The standard configuration when delivered is 2 channel dimming, but the configuration can be changed by the end user from Casambi App.

ASR-01, as any other Casambi product, should not be placed in a metal enclosure, such as metal junction boxes. Metal will attenuate radio signals which are crucial to the operation of the product. If the product will have to be installed into a junction box, make sure to use a plastic junction box.

## Range

The range between two ASR-01 units or between a ASR-01 and a smart phone can vary a lot depending on obstacles and surrounding material. In open air the range between two ASR-01s can be in excess of 200 ft, but if the unit is encapsulated into a metal structure, the range can be only few feet. Therefore, thorough testing is highly suggested.

Casambi uses mesh network technology so each ASR-01 acts also as a repeater. When testing the network, it is important to test that each unit can be controlled from any point of the network covered area.

## Compliance Statement

This device complies with part 15 of the FCC Rules. Operation is subject to the following two conditions:

- (1) This device may not cause harmful interference, and
- (2) this device must accept any interference received, including interference that may cause undesired operation.

## Radiation Exposure Statement for FCC

This device complies with FCC radiation exposure limits for an uncontrolled environment. This device shall be installed and operated with a minimum distance of 0.8" (2cm) between users or bystanders and the device.

## Warning

Changes or modifications not expressly approved by Casambi Technologies Oy could void the user's authority to operate the equipment.

## FCC Interference Statement

This equipment has been tested and found to comply with the limits for a Class B digital device, pursuant to Part 15 of the FCC Rules. These limits are designed to provide reasonable protection against harmful interference in a residential installation.

This equipment generates, uses and can radiate radio frequency energy and, if not installed and used in accordance with the instructions, may cause harmful interference to radio communications.

However, there is no guarantee that interference will not occur in a particular installation. If this equipment does cause harmful interference to radio or television reception, which can be determined by turning the equipment off and on, the user is encouraged to try to correct the interference by one of the following measures:

- Reorient or relocate the receiving antenna.
- Increase the separation between the equipment and receiver.
- Connect the equipment into an outlet on a circuit different from that to which the receiver is connected.
- Consult the dealer or an experienced radio/TV technician for help.

## Radiation Exposure Statement for Canada

This device complies with Industry Canada's licence-exempt RSSs. Operation is subject to the following two conditions:

- (1) This device may not cause interference
- (2) This device must accept any interference, including interference that may cause undesired operation of the device.

This equipment is exempt from the routine RF exposure evaluation requirements of RSS-102. This equipment should be installed and operated with a minimum distance of 20 cm between the antenna and the user or bystanders.



# CASAMBI

### RP-Technik GmbH

Herrmann-Staudinger-Straße 10-16  
63110 Rodgau  
www.rp-group.com  
info@rp-group.com

RP-Technik GmbH hereby declares that the product YMOCA-DCS-DA is in compliance with Directive 2014/53/EU. The full text of the EU Declaration of Conformity is available at the following internet address:  
[https://www.rp-group.com/\\_default\\_upload\\_bucket/cbu-asr-doc-2019-02-18.pdf](https://www.rp-group.com/_default_upload_bucket/cbu-asr-doc-2019-02-18.pdf)