



**Art.-Nr: KWID029**  
**Exit sign, Emergency light Centralised power supply systems**  
**Surface mounting, CPS, 16 m, IP65, Polycarbonate, White,**  
**Set of pictograms**

Classic, robust, plastic, beam-like emergency exit sign luminaire with a high level of protection and self-adhesive pictogram for versatile use.

Intended for ceiling mounting when used as an emergency exit sign luminaire. Without the use of pictograms, it can be used as a safety luminaire, preferably for ceiling mounting.

Planning certainty is provided by tool-free, variable use of the pictograms on site. A set of pictograms corresponding to DIN ISO 7010 (arrow to the right, left, up and down) is supplied as standard.



More information  
[www.rp-group.com/en/item/KWID029](http://www.rp-group.com/en/item/KWID029)



## TECHNICAL DATA

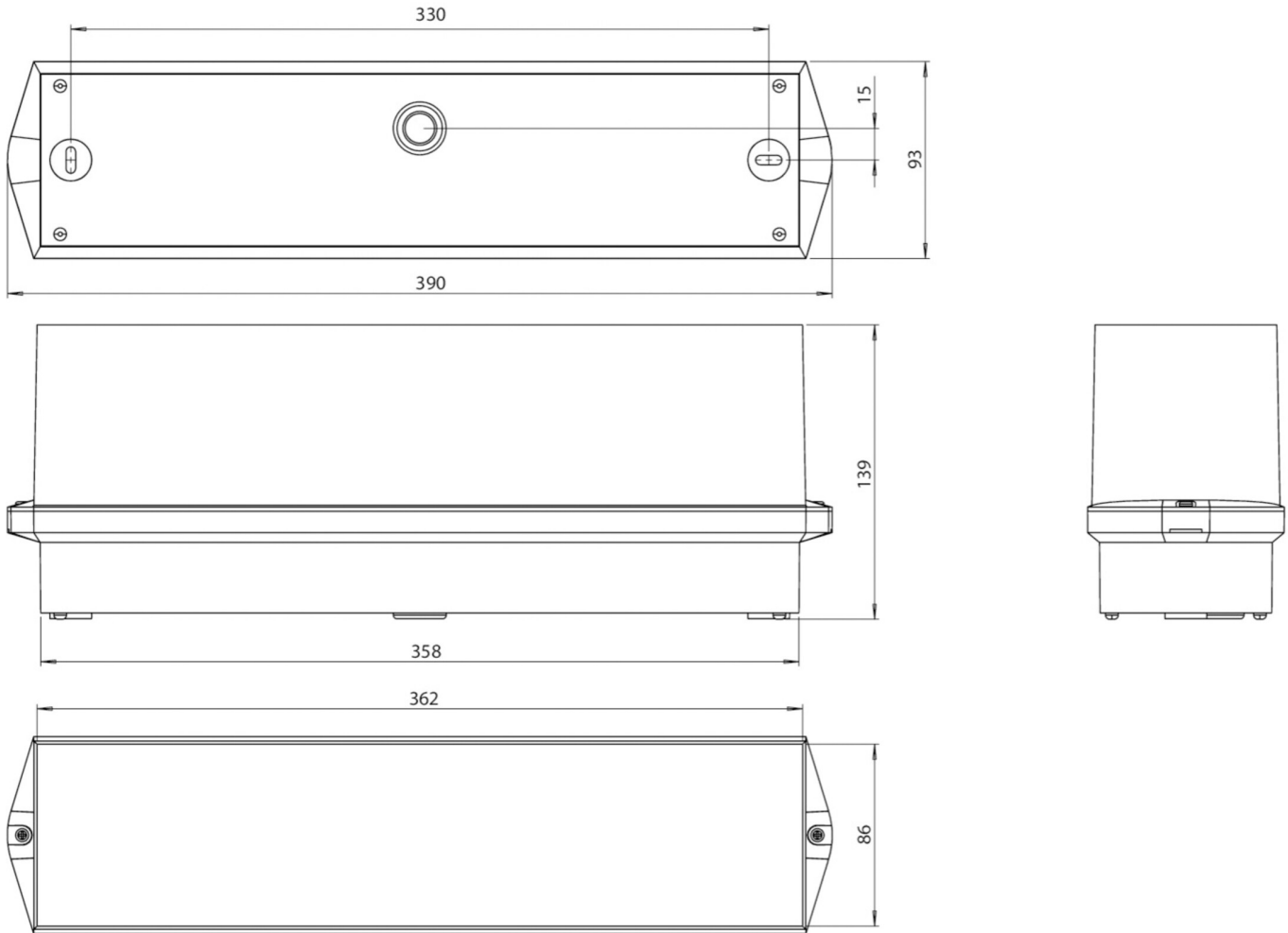
Luminaire type	Exit sign, Emergency light
Mounting	Surface mounting
Recognition distance	16 m
Pictograph	Set
Illuminant	LED
Housing material	Polycarbonate
Housing color	White
Protection type (IP)	IP65
Impact resistance (IK)	6
Certification	WEEE, CE, D-Sign, TÜV Rheinland Type approved, ENEC
Insulation class	2
Supply	Centralised power supply systems
Monitoring	Without monitoring
Bridging time	CPS
Battery	/
Operating mode	Permanent circuit
Input voltage AC	230 V
Input frequency	50 / 60 Hz



Input voltage DC	100-254 V
Power max.	4,6 W
Power maintained	4,6 W
Power non-maintained	0 W
Ambient temperature maintained mode	-30 °C to 40 °C
Ambient temperature non-maintained mode	-30 °C to 40 °C
Depth	93 mm
Width	390 mm
Height	139 mm
Weight	0.77
Weight incl. packaging	0.87
Connection cross-section	1.5 mm <sup>2</sup>
Switching input	No
Emergency light blocking	No
Battery connection	No
Dimming function	No
Luminous flux mains	520 lm
Luminous flux emergency	520 lm
EOF	1
Customs tariff number	94056120
GTIN	4260659566302



## TECHNICAL DRAWING



## ACCESSORY LIST

BKW - Robust steel protective grille for emergency lighting

As of: 04.07.2026 - Subject to technical changes and errors.