



Art.-Nr: QBW029ML-BM
General light, Emergency light Centralised power supply systems
Universal, CPS, IP44, Polycarbonate, White, HF motion detector



Round plastic LED general-purpose luminaire, as combined safety luminaire in a timeless design.

Alongside the general-purpose lighting, it also includes an integrated safety light function. When mounting, the emergency light LED can be swung out without the need for tools, to perfectly illuminate the escape and emergency routes when mounted on a wall, for example.

Control and monitoring via central power supply system. The integrated motion detector (BM) reliably detects movements and automatically turns on the light in mains operation.



More information

www.rp-group.com/en/item/QBW029ML-BM



TECHNICAL DATA

Luminaire type	General light, Emergency light
Mounting	Universal
Pictograph	No
Illuminant	LED
Housing material	Polycarbonate
Housing color	White
Protection type (IP)	IP44
Impact resistance (IK)	6
Certification	WEEE, CE
Insulation class	2
Supply	Centralised power supply systems
Monitoring	Central power supply (ML)
Bridging time	CPS
Battery	/
Operating mode	single luminaire switching
Input voltage AC	230 V
Input frequency	50 / 60 Hz



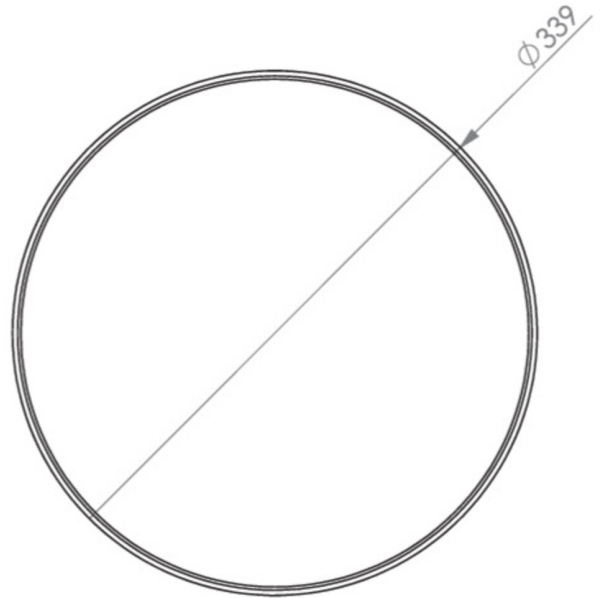
Input voltage DC	216 V
Power max.	19,5 W
Power maintained	17,5 W
Power non-maintained	1,6 W
Ambient temperature maintained mode	-5 °C to 40 °C
Ambient temperature non-maintained mode	-5 °C to 40 °C
Height	98 mm
Diameter	339 mm
Weight	1.47
Weight incl. packaging	1.69
Connection cross-section	2.5 mm ²
Switching input	Yes
Emergency light blocking	No
Battery connection	No
Dimming function	Yes
Luminous flux mains	1800 lm
Luminous flux emergency	470 lm
EOF	0.26
Customs tariff number	94056180
GTIN	4260682146205

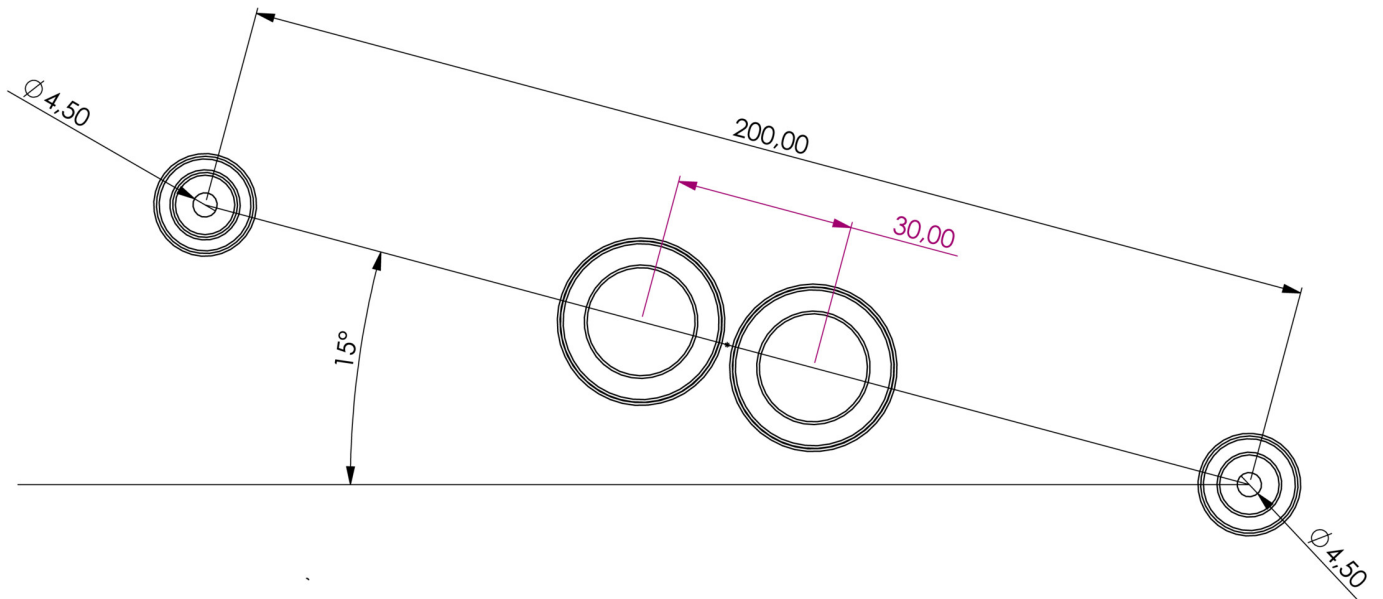


TECHNICAL DRAWING



QBW





RELATED PRODUCTS

Art.-No.	Image	Monitoring	Supply	Color	Investment	Automatic log	Maintenance level	Remote maintenance	max. luminaires	Single luminaire monitoring
QBW029ML		Central power supply (ML)	Central power supply	RAL 9003	€€€	Yes	low	Yes	1,920 per system	central

As of: 04.07.2026 - Subject to technical changes and errors.