



Art.-Nr: EERL438WL-E
Emergency light
Ceiling mounting, IP20, Zinc die-cast, Stainless steel,
Flexiklick round & corridor

High-grade zinc-aluminium safety luminaire for fitting in the ceiling.

The compact design permits mounting in a 68mm opening in the ceiling. Alongside the usual recessed ceiling mounting, it can also be mounted in conventional and fire protection sockets. It is secured with ease using tension springs or a screw connection on the box.

Wireless central control and monitoring for large installations of up to 50,000 luminaires with Wireless Professional. The innovative integrated lens holder with a rapid fitting fixture permits the flexible use of various lens types. Using the right lens allows the distribution of light to be matched perfectly to the application and simplifies illumination which satisfies all relevant standards. A round lens and corridor lens are supplied with every luminaire, allowing it to be adapted perfectly to the respective mounting situation. Other lenses, such as a spotlight lens, beam lens or H lens, are available as options.



More information

www.rp-group.com/en/item/EERL438WL-E



TECHNICAL DATA

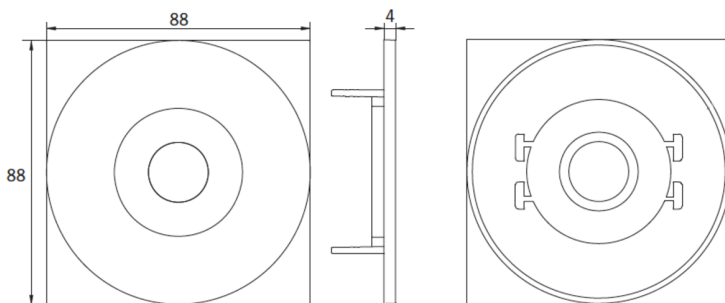
Luminaire type	Emergency light
Mounting	Ceiling mounting
Pictograph	No
Housing material	Zinc die-cast
Housing color	Stainless steel
Protection type (IP)	IP20
Impact resistance (IK)	≥ 3
Certification	WEEE, CE, 5 years warranty
Insulation class	2
Monitoring	Wireless Professional (WL)
Battery	/
Ambient temperature maintained mode	-5 °C to 40 °C
Ambient temperature non-maintained mode	-5 °C to 40 °C
Height	4 mm



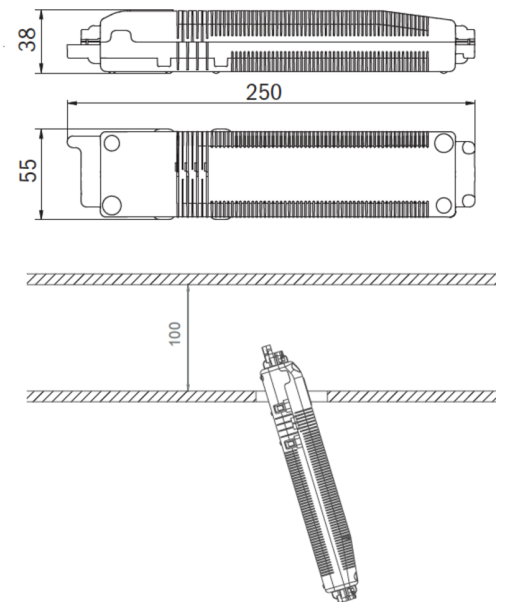
Diameter	88 mm
Installation dimensions Diameter	68 mm
Weight	0.21
Weight incl. packaging	0.34
Customs tariff number	94056180
GTIN	4260682150868

TECHNICAL DRAWING

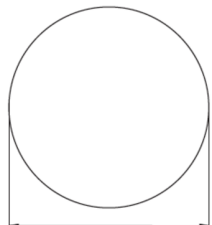
Maße EER / EEQ



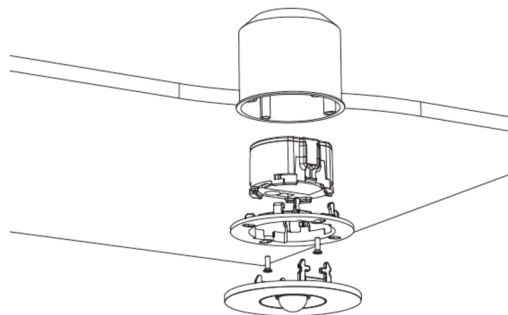
Einzelbatterie-Elektronik-Box (UH-1)



Lochausschnitt EER / EEQ



Einsatz in U-Putzdose: 68mm
Einzelbatterie mit UH-1: 74mm



Schaltdose notwendig (nicht im Lieferumfang enthalten)

ACCESSORY LIST

LFPN3212-SET-2AKKU - Battery

As of: 10.07.2026 - Subject to technical changes and errors.