



Art.-Nr: EERL431WL
Emergency light Self-contained
Ceiling mounting, 1 h, IP20, Zinc die-cast, White, Flexiklick
round & corridor

High-grade zinc-aluminium safety luminaire for fitting in the ceiling.

The compact design permits mounting in a 68mm opening in the ceiling. Alongside the usual recessed ceiling mounting, it can also be mounted in conventional and fire protection sockets. It is secured with ease using tension springs or a screw connection on the box.

Wireless central control and monitoring for large installations of up to 50,000 luminaires with Wireless Professional. The innovative integrated lens holder with a rapid fitting fixture permits the flexible use of various lens types. Using the right lens allows the distribution of light to be matched perfectly to the application and simplifies illumination which satisfies all relevant standards. A round lens and corridor lens are supplied with every luminaire, allowing it to be adapted perfectly to the respective mounting situation. Other lenses, such as a spotlight lens, beam lens or H lens, are available as options.



More information

www.rp-group.com/en/item/EERL431WL



TECHNICAL DATA

| | |
|------------------------|----------------------------|
| Luminaire type | Emergency light |
| Mounting | Ceiling mounting |
| Pictograph | No |
| Illuminant | LED |
| Housing material | Zinc die-cast |
| Housing color | White |
| Protection type (IP) | IP20 |
| Impact resistance (IK) | ≥ 3 |
| Certification | WEEE, CE, 5 years warranty |
| Insulation class | 2 |
| Supply | Self-contained |
| Monitoring | Wireless Professional (WL) |
| Bridging time | 1 h |
| Battery | LiFePO4 3,2 V/1,2 Ah |



| | |
|---|-----------------------------|
| Operating mode | Non-maintained / maintained |
| Input voltage AC | 230 V |
| Input frequency | 50 Hz |
| Power max. | 6,4 W |
| Power maintained | 5,1 W |
| Power non-maintained | 0,8 W |
| Ambient temperature maintained mode | -5 °C to 40 °C |
| Ambient temperature non-maintained mode | -5 °C to 40 °C |
| Height | 4 mm |
| Diameter | 88 mm |
| Installation dimensions Diameter | 68 mm |
| Weight | 0.32 |
| Weight incl. packaging | 0.45 |
| Connection cross-section | 2.5 mm ² |
| Switching input | Yes |
| Emergency light blocking | Yes |
| Battery connection | Connector |
| Dimming function | Yes |
| Luminous flux mains | 470 lm |
| Luminous flux emergency | 470 lm |
| Customs tariff number | 94056180 |
| GTIN | 4260682150721 |



TECHNICAL DRAWING

Maße EER / EEQ



Lochsausschnitt EER / EEQ

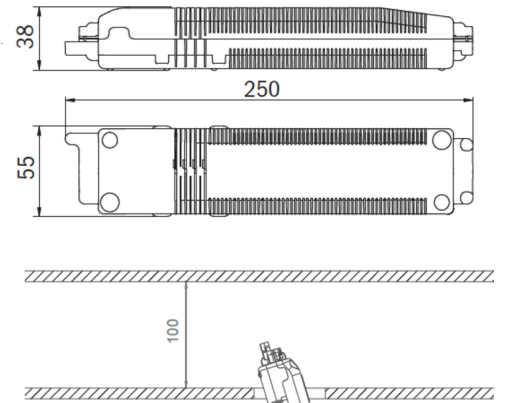


Einsatz in U-Putzdose: 68mm
Einzelbatterie mit UH-1: 74mm



Schalterdose notwendig (nicht im Lieferumfang enthalten)

Einzelbatterie-Elektronik-Box (UH-1)



RELATED PRODUCTS

| Art.-No. | Image | Monitoring | Supply | Color | Investment | Automatic log | Maintenance level | Remote maintenance | max. luminaires | Single luminaire monitoring |
|--------------|-------|----------------------------|----------------|-----------|------------|---------------|-------------------|--------------------|------------------|-----------------------------|
| EERL431WL-AZ | | Wireless Professional (WL) | self contained | RAL 7016 | €€ | yes | low | yes | 1,000 per system | central |
| EERL431WL-E | | Wireless Professional (WL) | self contained | Edelstahl | €€ | yes | low | yes | 1,000 per system | central |

As of: 10.07.2026 - Subject to technical changes and errors.