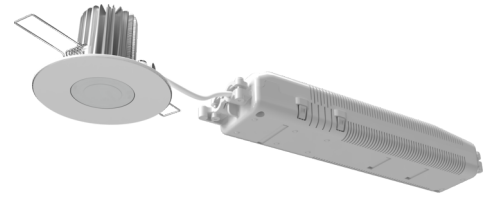




Art.-Nr: DDE039
Emergency light Centralised power supply systems
Ceiling mounting, CPS, IP40, Zinc die-cast, White



Powerful LED safety luminaire for recessed mounting in the ceiling. Both the spotlight and cooling element are made from high-grade zinc die-cast.

The structure, as well as the material used, ensure good heat dissipation and a long LED life. The compact design permits mounting in a 68mm opening in the ceiling. It is secured with ease using tension springs.



More information
www.rp-group.com/en/item/DDE039



TECHNICAL DATA

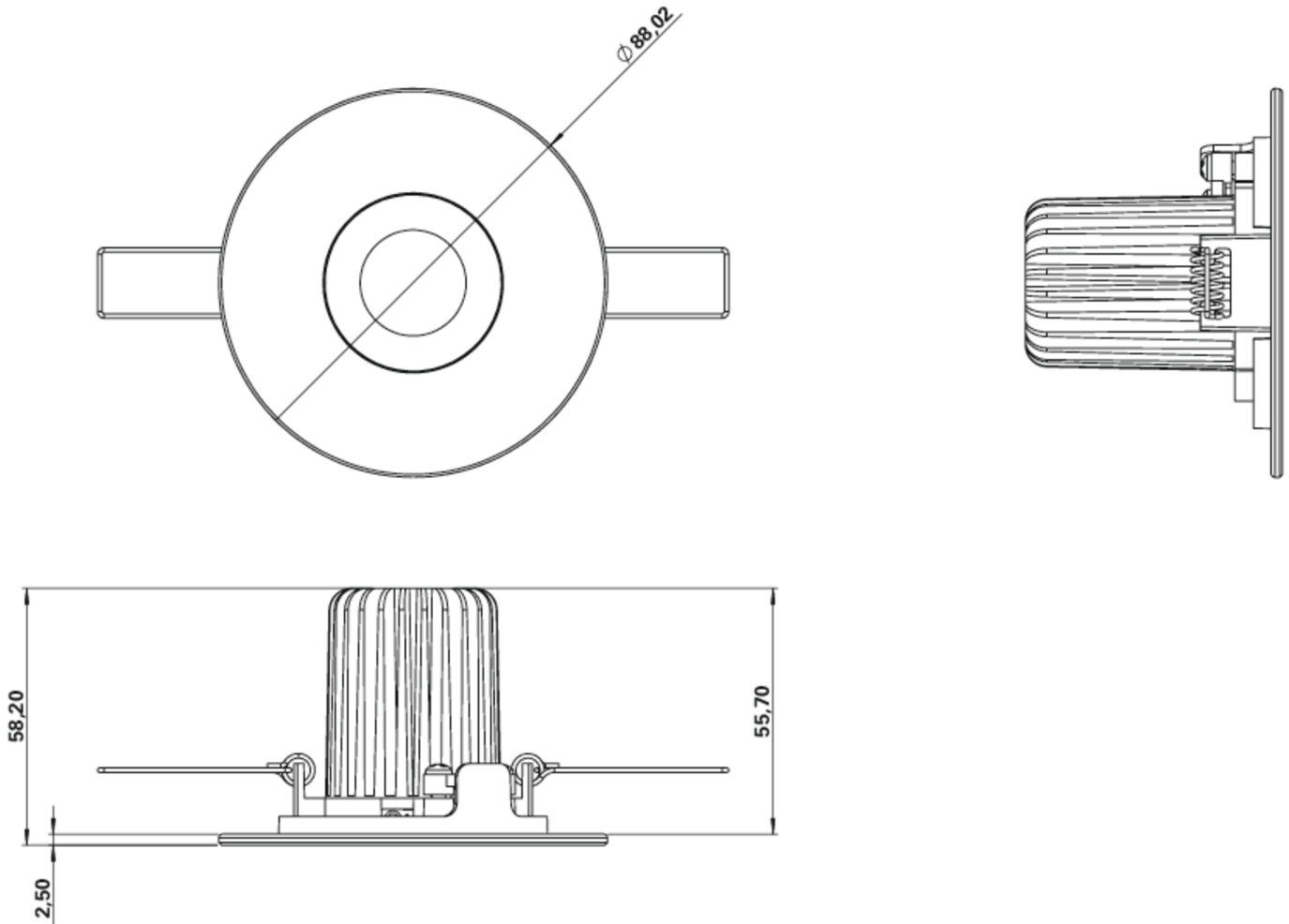
Luminaire type	Emergency light
Mounting	Ceiling mounting
Pictograph	No
Illuminant	LED
Housing material	Zinc die-cast
Housing color	White
Protection type (IP)	IP40
Impact resistance (IK)	8
Certification	WEEE, CE, TÜV Rheinland Type approved, ENEC
Insulation class	2
Supply	Centralised power supply systems
Monitoring	Without monitoring
Bridging time	CPS
Battery	/
Operating mode	Permanent circuit
Input voltage AC	230 V
Input frequency	50 / 60 Hz
Input voltage DC	100-254 V
Power max.	7,1 W
Power maintained	7,1 W
Power non-maintained	0 W



Ambient temperature maintained mode	-10 °C to 50 °C
Ambient temperature non-maintained mode	-10 °C to 50 °C
Height	58 mm
Diameter	88 mm
Installation height	110 mm
Installation dimensions Diameter	68 mm
Weight	0.37
Weight incl. packaging	0.5
Connection cross-section	1.5 mm ²
Switching input	No
Emergency light blocking	No
Battery connection	No
Dimming function	No
Luminous flux mains	825 lm
Luminous flux emergency	825 lm
Customs tariff number	94056180
GTIN	4260682152534



TECHNICAL DRAWING



ACCESSORY LIST

BALLPLX-ILE - Wire mesh surround

As of: 04.07.2026 - Subject to technical changes and errors.