



**Art.-Nr: ASMU519CC**  
**Exit sign Centralised power supply systems**  
**Universal, CPS, 22 m, IP40, Aluminium, Anodised aluminium,**  
**Set of pictograms**

Multi-functional aluminium emergency exit sign luminaire for universal mounting. As a result of the clever structure, the recesses for cable entry and fastening are integrated, both for ceiling and wall mounting. Visually appealing side parts cover the lock mechanism so that the luminaire conveys a harmonious and fully closed impression.

Control and monitoring via central 24 V low-power system. Planning certainty is provided by tool-free, variable use of the pictograms on site. A set of pictograms corresponding to DIN ISO 7010 (arrow to the right, left, up and down) is supplied as standard.



More information

[www.rp-group.com/en/item/ASMU519CC](http://www.rp-group.com/en/item/ASMU519CC)



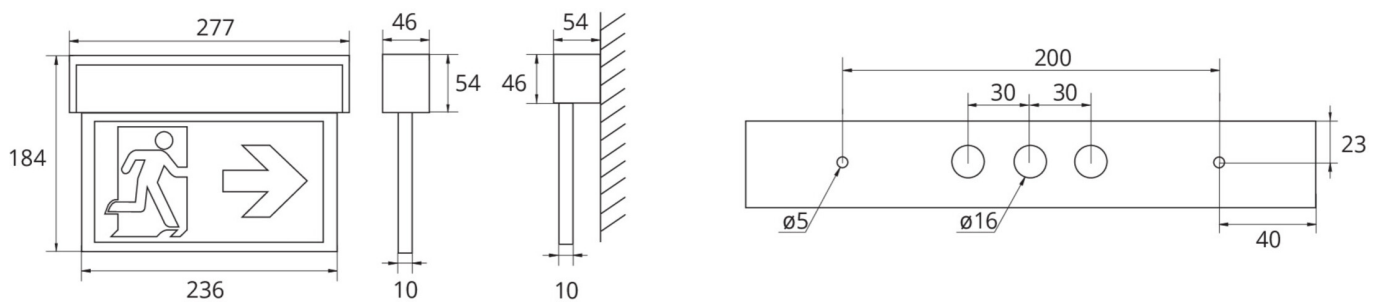
## TECHNICAL DATA

Luminaire type	Exit sign
Mounting	Universal
Recognition distance	22 m
Pictograph	Set
Illuminant	LED
Housing material	Aluminium
Housing color	Anodised aluminium
Protection type (IP)	IP40
Impact resistance (IK)	3
Certification	WEEE, CE
Insulation class	3
Supply	Centralised power supply systems
Monitoring	CoreCompact 24 (CC)
Bridging time	CPS
Battery	/
Operating mode	Non-maintained / maintained
Input voltage AC	24 V



Power max.	2,1 W
Power maintained	2,1 W
Power non-maintained	0,4 W
Ambient temperature maintained mode	-5 °C to 40 °C
Ambient temperature non-maintained mode	-5 °C to 40 °C
Depth	54 mm
Width	277 mm
Height	184 mm
Weight	0.75
Weight incl. packaging	0.92
Connection cross-section	2.5 mm <sup>2</sup>
Switching input	No
Emergency light blocking	No
Battery connection	No
Dimming function	Yes
Luminous flux mains	220 lm
Luminous flux emergency	220 lm
Customs tariff number	94056180
GTIN	4260682156587

## TECHNICAL DRAWING



## ACCESSORY LIST

- DSA - Wire suspension
- 2PS-EB - Pendant
- BALLPLX-KMU.01 -



## RELATED PRODUCTS

Art.-No.	Image	Monitoring	Supply	Color	Investment	Automatic log	Maintenance level	Remote maintenance	max. luminaires	Single luminaire monitoring
ASMU019ML		Central power supply (ML)	Central power supply	Alu eloxiert	€€€	Yes	low	Yes	1,920 per system	central
ASMU019ML-WS		Central power supply (ML)	Central power supply	RAL 9003	€€€	Yes	low	Yes	1,920 per system	central

As of: 05.07.2026 - Subject to technical changes and errors.