



Art.-Nr: FMDS529CC-AZ
Emergency light Centralised power supply systems
Surface mounting, CPS, IP65, Zinc die-cast, Anthracite

Robust zinc die-cast safety luminaire for mounting on the ceiling and for illuminating escape and emergency routes.

Control and monitoring via central 24 V low-power system.



More information

www.rp-group.com/en/item/FMDS529CC-AZ



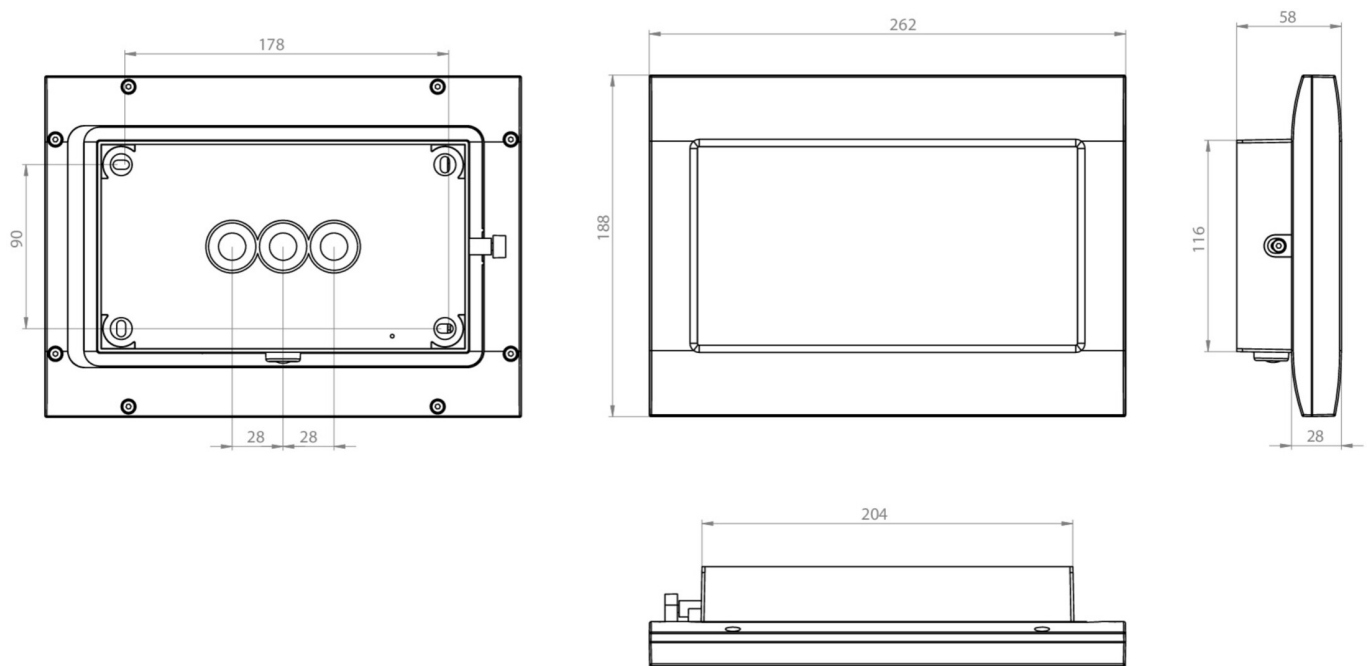
TECHNICAL DATA

Luminaire type	Emergency light
Mounting	Surface mounting
Pictograph	No
Illuminant	LED
Housing material	Zinc die-cast
Housing color	Anthracite
Protection type (IP)	IP65
Impact resistance (IK)	8
Certification	WEEE, CE, D-Sign, HACCP, Ball protected
Insulation class	3
Supply	Centralised power supply systems
Monitoring	CoreCompact 24 (CC)
Bridging time	CPS
Battery	/
Operating mode	Non-maintained / maintained
Input voltage AC	24 V
Power max.	5,1 W
Power maintained	5,1 W
Power non-maintained	0,4 W
Ambient temperature maintained mode	-20 °C to 40 °C
Ambient temperature non-maintained mode	-20 °C to 40 °C



Depth	58 mm
Width	262 mm
Height	188 mm
Weight	1.92
Weight incl. packaging	2.02
Connection cross-section	2.5 mm ²
Switching input	No
Emergency light blocking	No
Battery connection	No
Luminous flux mains	520 lm
Luminous flux emergency	520 lm
Customs tariff number	94056180
GTIN	4260682157126

TECHNICAL DRAWING





ACCESSORY LIST

FMDA001-AZ - High-quality ceiling bracket for FM luminaires, one-sided, anthracite

FMDA002-AZ - Double-sided ceiling bracket for emergency lighting - anthracite, FM-compatible

FMWA001 -

FMFH -

RELATED PRODUCTS

Art.-No.	Image	Monitoring	Supply	Color	Investment	Automatic log	Maintenance level	Remote maintenance	max. luminaires	Single luminaire monitoring
FMDS029ML		Central power supply (ML)	Central power supply	RAL 9003	€€€	Yes	low	Yes	1,920 per system	central
FMDS029ML-AZ		Central power supply (ML)	Central power supply	RAL 7016	€€€	Yes	low	Yes	1,920 per system	central
FMDS529CC		CoreCompact 24 (CC)	Central power supply	RAL 9003	€€	Yes	low	Yes		central

As of: 10.07.2026 - Subject to technical changes and errors.