



Art.-Nr: KLU519CC
Exit sign Centralised power supply systems
Universal, CPS, 34 m, IP43, Polycarbonate, White, Set of pictograms

Box-shaped plastic emergency exit sign luminaire for universal mounting. Suited to inscription on one or two sides.

The additional downward light emission helps to illuminate emergency and escape routes.

Control and monitoring via central 24 V low-power system. Planning certainty is provided by tool-free, variable use of the pictograms on site. A set of pictograms corresponding to DIN ISO 7010 (arrow to the right, left, up and down) is supplied as standard.



More information
www.rp-group.com/en/item/KLU519CC



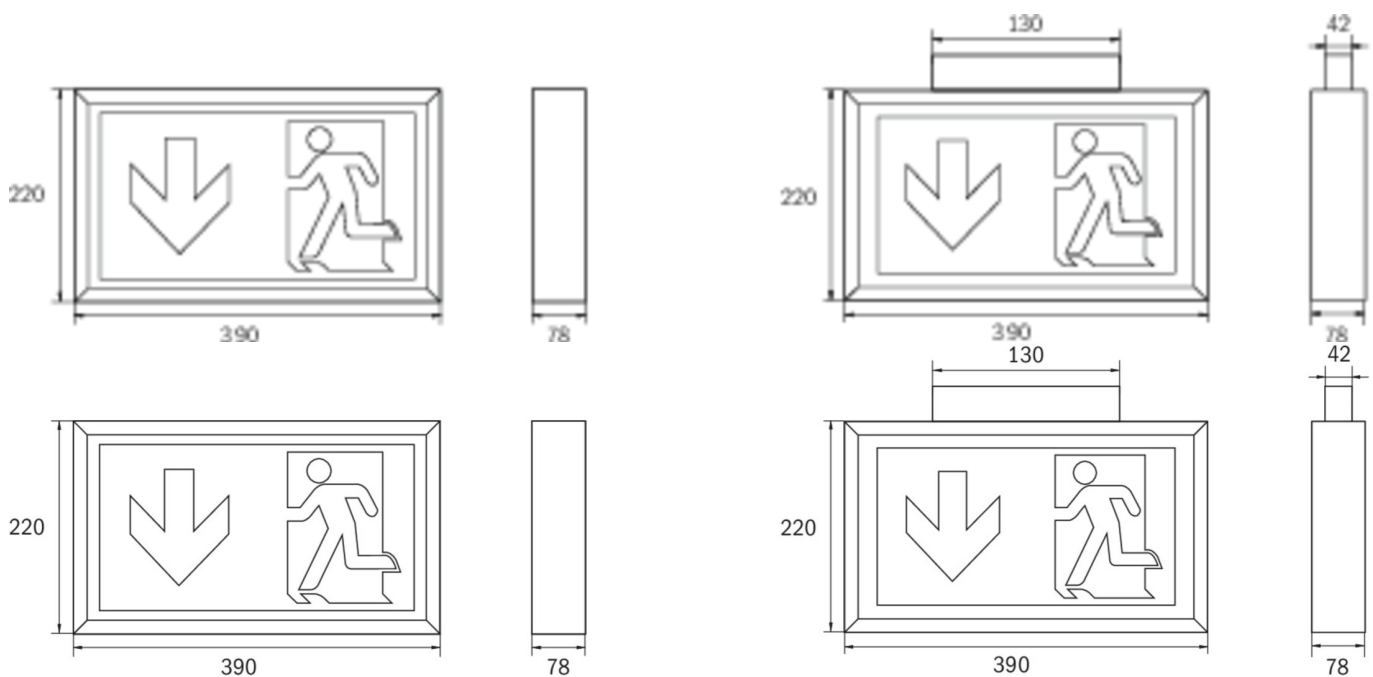
TECHNICAL DATA

Luminaire type	Exit sign
Mounting	Universal
Recognition distance	34 m
Pictograph	Set
Illuminant	LED
Housing material	Polycarbonate
Housing color	White
Protection type (IP)	IP43
Impact resistance (IK)	≥ 3
Certification	WEEE, CE
Insulation class	3
Supply	Centralised power supply systems
Monitoring	CoreCompact 24 (CC)
Bridging time	CPS
Battery	/
Operating mode	Non-maintained / maintained
Input voltage AC	24 V
Power max.	4,9 W



Power maintained	4,9 W
Power non-maintained	0,4 W
Ambient temperature maintained mode	-5 °C to 40 °C
Ambient temperature non-maintained mode	-5 °C to 40 °C
Depth	78 mm
Width	390 mm
Height	220 mm
Weight	1.2
Weight incl. packaging	1.36
Connection cross-section	2.5 mm ²
Switching input	No
Emergency light blocking	No
Battery connection	No
Luminous flux mains	340 lm
Luminous flux emergency	340 lm
Customs tariff number	94056120
GTIN	4260682157386

TECHNICAL DRAWING





ACCESSORY LIST

DSA - Wire suspension

BALL2 - Wire mesh guard

2PW-EB - Pendant

2DW-EB - Pre-assembled designer pendant pair with fixed canopy, 4-core, white

RELATED PRODUCTS

Art.-No.	Image	Monitoring	Supply	Color	Investment	Automatic log	Maintenance level	Remote maintenance	max. luminaires	Single luminaire monitoring
KLU019ML		Central power supply (ML)	Central power supply	RAL 9003	€€€	Yes	low	Yes	1,920 per system	central

As of: 04.07.2026 - Subject to technical changes and errors.