



Art.-Nr: KMMU019ML
Exit sign Centralised power supply systems
Universal, CPS, 24 m, IP43, Polycarbonate, White, Set of
pictograms, Universal mounting

Slim convex emergency exit sign luminaire with clear, closed surround, which tapers downwards in a continuous and symmetrical manner. Suited to inscription on one or two sides. The pictograms are on the inside and are inserted without the use of solvents.

Thanks to the snap-in mechanism between the upper and lower part, the luminaire has a harmonious look and appears closed all the way round. The luminaire is connected to the mains in the ceiling section. When closed, the luminaire is powered via contact plugs. This greatly simplifies mounting and makes convenient connection possible despite the small size of the luminaire.

Control and monitoring via central power supply system. Planning certainty is provided by tool-free, variable use of the pictograms on site. A set of pictograms corresponding to DIN ISO 7010 (arrow to the right, left, up and down) is supplied as standard. Universal mounting includes fitting on the wall and ceiling as well as the option of fitting in the ceiling in conjunction with the mounting frame available.



More information

www.rp-group.com/en/item/KMMU019ML



TECHNICAL DATA

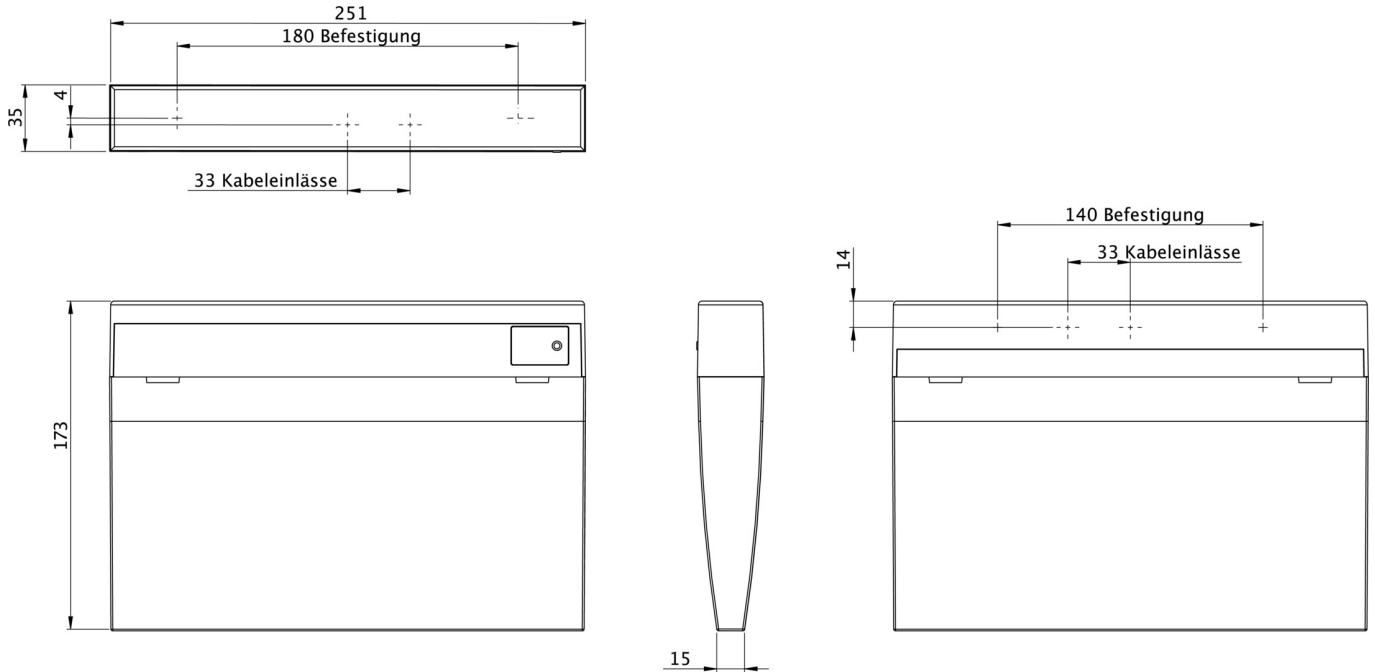
Luminaire type	Exit sign
Mounting	Universal
Recognition distance	24 m
Pictograph	Set
Illuminant	LED
Housing material	Polycarbonate
Housing color	White
Protection type (IP)	IP43
Impact resistance (IK)	3
Certification	WEEE, CE, TÜV Rheinland Type approved, ENEC
Insulation class	2
Supply	Centralised power supply systems
Monitoring	Central power supply (ML)



Bridging time	CPS
Battery	/
Operating mode	single luminaire switching
Input voltage AC	230 V
Input frequency	50 / 60 Hz
Input voltage DC	216 V
Power max.	2,3 W
Power maintained	2,3 W
Power non-maintained	1 W
Ambient temperature maintained mode	-5 °C to 40 °C
Ambient temperature non-maintained mode	-5 °C to 40 °C
Depth	35 mm
Width	251 mm
Height	173 mm
Weight	0.62
Weight incl. packaging	0.72
Connection cross-section	1.5 mm ²
Switching input	No
Emergency light blocking	No
Battery connection	No
Dimming function	Yes
Luminous flux mains	220 lm
Luminous flux emergency	220 lm
Customs tariff number	94056120
GTIN	4260659566678



TECHNICAL DRAWING



ACCESSORY LIST

- DSA - Wire suspension
- KME-EB - Mounting frame
- KMBE - Concrete-mounted box
- AWKSU - Wall bracket
- 2PW-EB - Pendant
- BALLPLX-KMU.01 -

RELATED PRODUCTS

Art.-No.	Image	Monitoring	Supply	Color	Investment	Automatic log	Maintenance level	Remote maintenance	max. luminaires	Single luminaire monitoring
----------	-------	------------	--------	-------	------------	---------------	-------------------	--------------------	-----------------	-----------------------------

As of: 10.07.2026 - Subject to technical changes and errors.