



**Art.-Nr: KWIW428WL**  
**Emergency light Self-contained**  
**Universal, 8 h, IP65, Polycarbonate, White, Flexiklick**

Classic, robust, plastic, beam-like safety luminaire with a high level of protection and for versatile use.

Wireless central control and monitoring for large installations of up to 50,000 luminaires with Wireless Professional. The luminaire is fitted with the innovative flexible plug-in system for rapid use of the right lens. The corridor lens is supplied with every luminaire. A round lens, spotlight lens and beam lens are available as options.



More information  
[www.rp-group.com/en/item/KWIW428WL](http://www.rp-group.com/en/item/KWIW428WL)



## TECHNICAL DATA

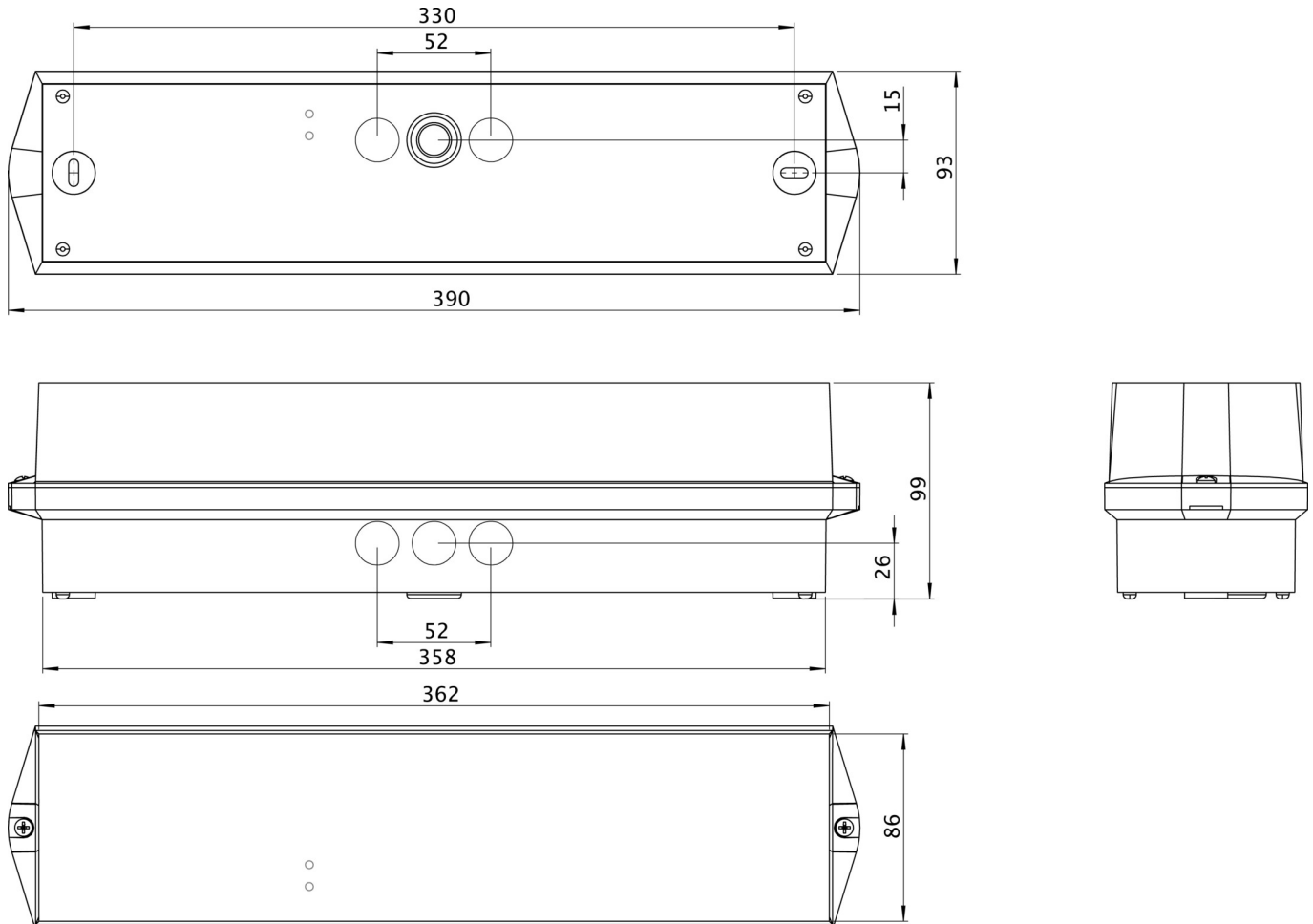
Luminaire type	Emergency light
Mounting	Universal
Pictograph	No
Illuminant	LED
Housing material	Polycarbonate
Housing color	White
Protection type (IP)	IP65
Impact resistance (IK)	6
Certification	WEEE, CE, 5 years warranty, D-Sign
Insulation class	2
Supply	Self-contained
Monitoring	Wireless Professional (WL)
Bridging time	8 h
Battery	LiFePO4 3,2 V/3,3 Ah
Operating mode	Non-maintained / maintained
Input voltage AC	230 V
Input frequency	50 Hz
Power max.	7,5 W
Power maintained	5,7 W
Power non-maintained	0,8 W



Ambient temperature maintained mode	-5 °C to 40 °C
Ambient temperature non-maintained mode	-5 °C to 40 °C
Depth	86 mm
Width	390 mm
Height	99 mm
Weight	0.78
Weight incl. packaging	0.88
Connection cross-section	2.5 mm <sup>2</sup>
Switching input	Yes
Emergency light blocking	Yes
Battery connection	Connector
Dimming function	Yes
Luminous flux mains	250 lm
Luminous flux emergency	245 lm
Customs tariff number	94056120
GTIN	4260766550461



## TECHNICAL DRAWING



## ACCESSORY LIST

- BKW - Robust steel protective grille for emergency lighting
- KWIE - Installation frame
- LSYS-B4 - Precision beam lens for accent lighting of safety devices
- LSYS-F4 - Precise corridor lens for emergency exit and corridor lighting
- LSYS-H4 - H-lens Special optics for emergency lighting in escape and rescue routes (installation height from 4 m)
- LSYS-R4 - High-performance round lens for uniform emergency light distribution in open areas
- LSYS-S4 - Precision spot lens for emergency lighting in large areas and high ceilings
- LSYS-WF4 - Precise wall-corridor lens – Optimal light control for safety lights
- LFP3233-SET-2AKKU - Battery



## RELATED PRODUCTS

Art.-No.	Image	Monitoring	Supply	Color	Investment	Automatic log	Maintenance level	Remote maintenance	max. luminaires	Single luminaire monitoring
KWIW028SC		SelfControl (SC)	Single battery	RAL 9003	€	no	high	no	unlimited	itself

As of: 04.07.2026 - Subject to technical changes and errors.