



Art.-Nr: GABD009ML
Exit sign Centralised power supply systems
Surface mounting, CPS, 40 m, IP40, Polycarbonate, White,
Piktogram as required

Emergency exit sign luminaire with plastic pane for surface mounting on the ceiling and for identifying emergency and escape routes. It is based on the design of the A series luminaire family, which provides solutions for any mounting and has won the German Design Award for its uniform, straight-line design. The luminaires are equipped with modern LED illuminants and provide flexibility through their interchangeable pictograms.

Control and monitoring via central power supply system. Two requested pictograms (arrow to the right, left, up, down or white) are supplied as standard.



More information

www.rp-group.com/en/item/GABD009ML



TECHNICAL DATA

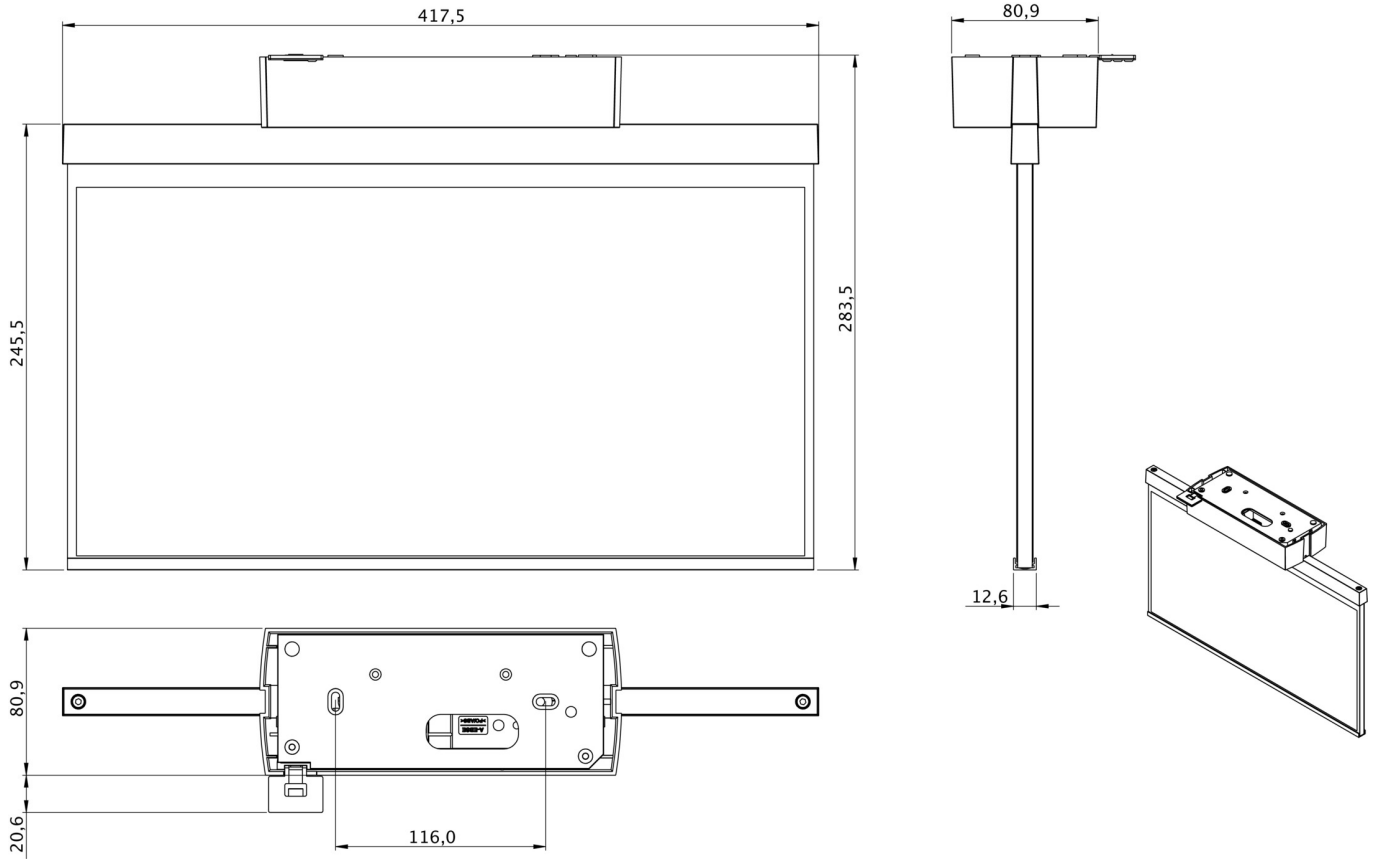
Luminaire type	Exit sign
Mounting	Surface mounting
Recognition distance	40 m
Pictograph	acc. to Specification
Illuminant	LED
Housing material	Polycarbonate
Housing color	White
Protection type (IP)	IP40
Impact resistance (IK)	5
Certification	WEEE, CE
Insulation class	2
Supply	Centralised power supply systems
Monitoring	Central power supply (ML)
Bridging time	CPS
Battery	/
Operating mode	single luminaire switching
Input voltage AC	230 V
Input frequency	50 / 60 Hz



Input voltage DC	216 V
Power max.	4,6 W
Power maintained	4,6 W
Power non-maintained	1,1 W
Ambient temperature maintained mode	-15 °C to 40 °C
Ambient temperature non-maintained mode	-5 °C to 55 °C
Depth	80.9 mm
Width	417.5 mm
Height	245.5 mm
Weight	1.27
Weight incl. packaging	1.92
Connection cross-section	2.5 mm ²
Switching input	Yes
Emergency light blocking	No
Battery connection	No
Dimming function	Yes
Customs tariff number	94056120
GTIN	4260766551062



TECHNICAL DRAWING



As of: 07.07.2026 - Subject to technical changes and errors.