



Art.-Nr: GABD509CC
Exit sign Centralised power supply systems
Surface mounting, CPS, 40 m, IP40, Polycarbonate, White,
Piktogram as required

Emergency exit sign luminaire with plastic pane for surface mounting on the ceiling and for identifying emergency and escape routes. It is based on the design of the A series luminaire family, which provides solutions for any mounting and has won the German Design Award for its uniform, straight-line design. The luminaires are equipped with modern LED illuminants and provide flexibility through their interchangeable pictograms.

Control and monitoring via central 24 V low-power system. Two requested pictograms (arrow to the right, left, up, down or white) are supplied as standard.



More information
www.rp-group.com/en/item/GABD509CC



TECHNICAL DATA

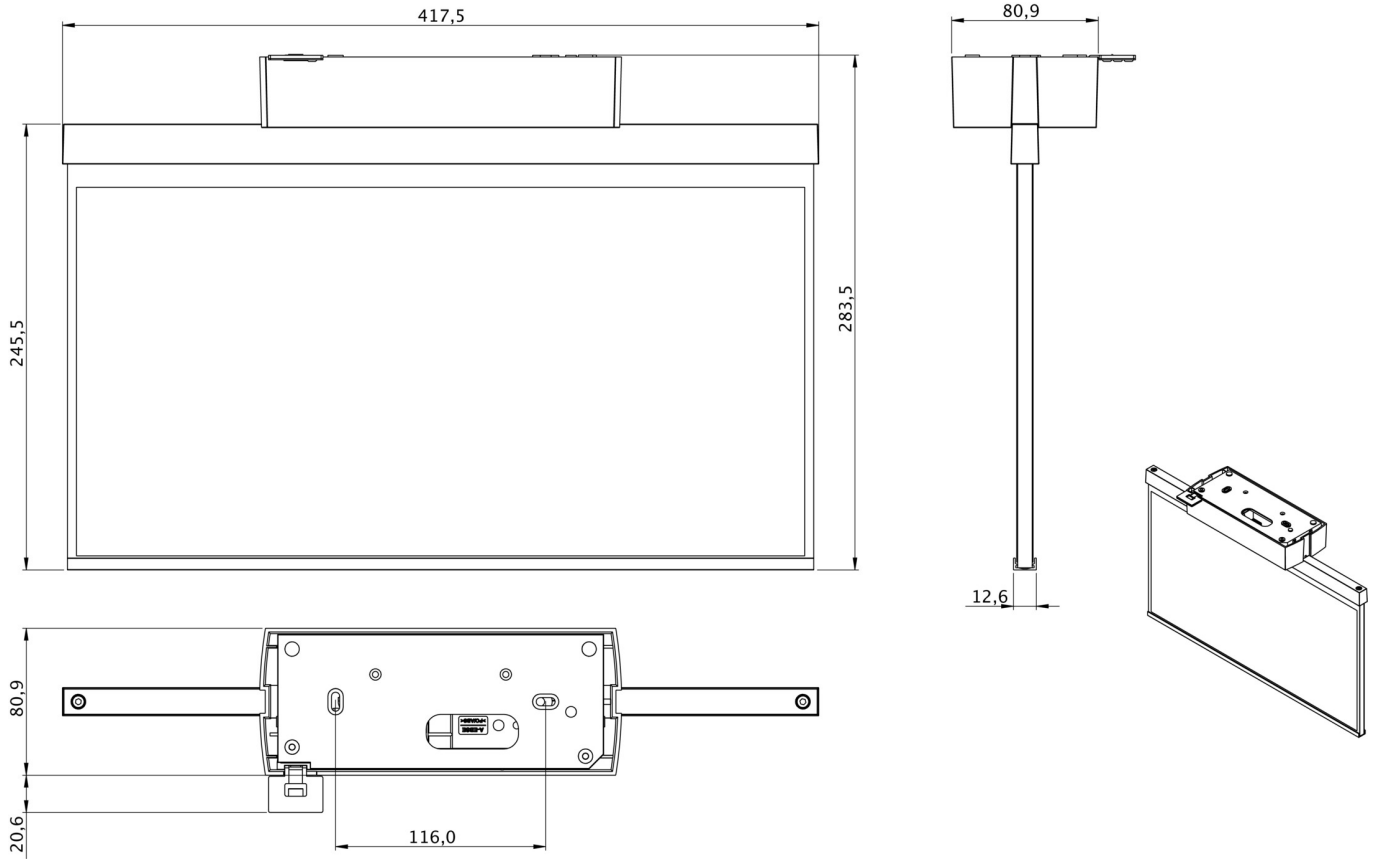
Luminaire type	Exit sign
Mounting	Surface mounting
Recognition distance	40 m
Pictograph	acc. to Specification
Illuminant	LED
Housing material	Polycarbonate
Housing color	White
Protection type (IP)	IP40
Impact resistance (IK)	5
Certification	WEEE, CE
Insulation class	2
Supply	Centralised power supply systems
Monitoring	CoreCompact 24 (CC)
Bridging time	CPS
Battery	/
Operating mode	Non-maintained / maintained
Input voltage AC	24 V
Power max.	3,7 W



Power maintained	3,7 W
Power non-maintained	0,4 W
Ambient temperature maintained mode	-5 °C to 40 °C
Ambient temperature non-maintained mode	-5 °C to 40 °C
Depth	80.9 mm
Width	417.5 mm
Height	245.5 mm
Weight	1.2
Weight incl. packaging	1.85
Connection cross-section	2.5 mm ²
Switching input	No
Emergency light blocking	No
Battery connection	No
Customs tariff number	94056120
GTIN	4260766551444



TECHNICAL DRAWING



As of: 07.07.2026 - Subject to technical changes and errors.