



Art.-Nr: KWIW411SC
Exit sign, Emergency light Self-contained
Wall mounting, 1 h, 16 m, IP65, Polycarbonate, White, Set of pictograms

Classic, robust, plastic, beam-like emergency exit sign luminaire with a high level of protection and self-adhesive pictogram for versatile use.

Intended for wall mounting when used as an emergency exit sign luminaire. Without the use of pictograms, it can be used as a safety luminaire, preferably for ceiling mounting.

Automatic monitoring of safety luminaire with SelfControl. Planning certainty is provided by tool-free, variable use of the pictograms on site. A set of pictograms corresponding to DIN ISO 7010 (arrow to the right, left, up and down) is supplied as standard.



More information

www.rp-group.com/en/item/KWIW411SC



TECHNICAL DATA

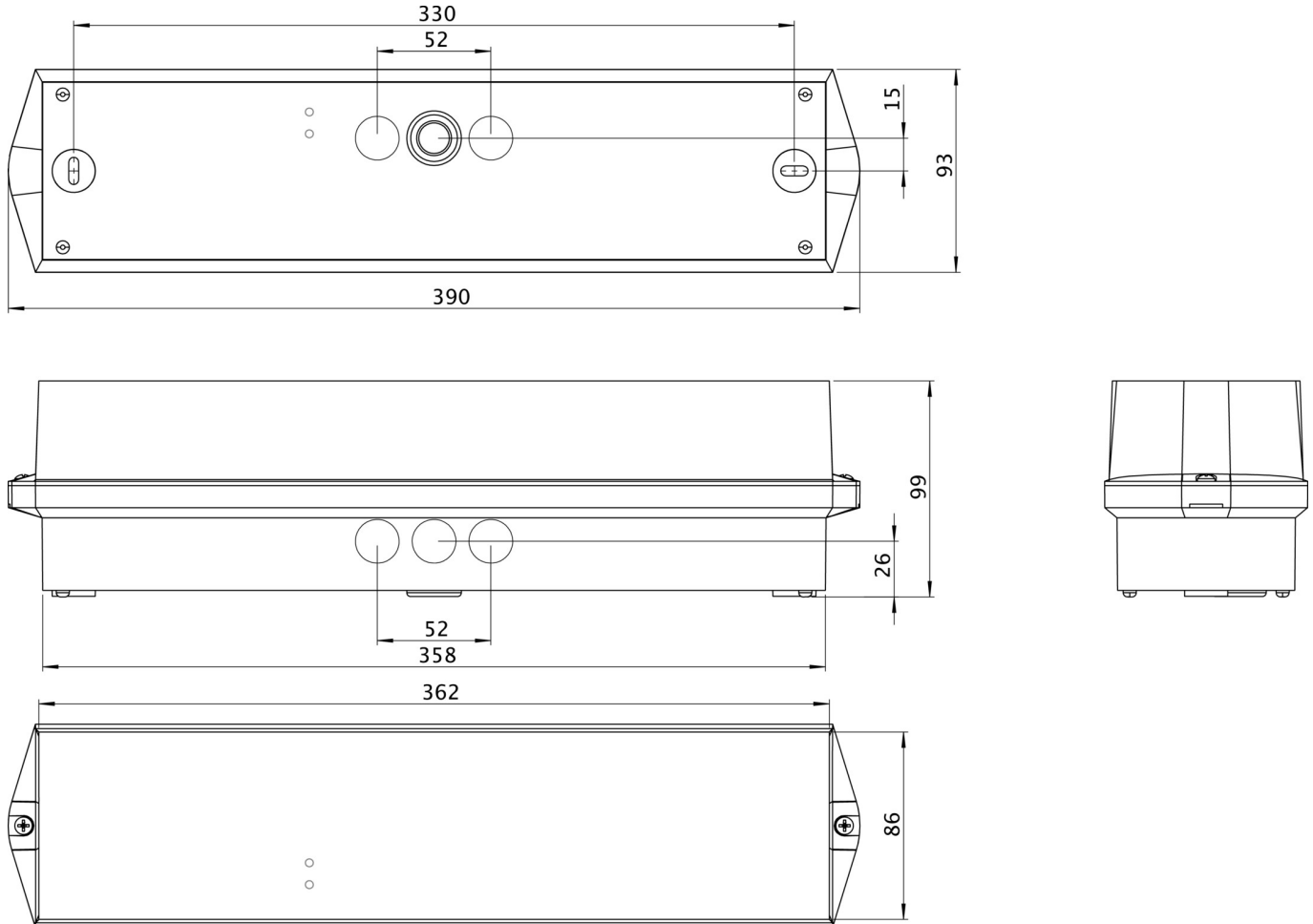
| | |
|------------------------|------------------------------------|
| Luminaire type | Exit sign, Emergency light |
| Mounting | Wall mounting |
| Recognition distance | 16 m |
| Pictograph | Set |
| Illuminant | LED |
| Housing material | Polycarbonate |
| Housing color | White |
| Protection type (IP) | IP65 |
| Impact resistance (IK) | 6 |
| Certification | WEEE, CE, 5 years warranty, D-Sign |
| Insulation class | 2 |
| Supply | Self-contained |
| Monitoring | SelfControl (SC) |
| Bridging time | 1 h |
| Battery | LiFePO4 3,2 V/1,6 Ah |
| Operating mode | Non-maintained / maintained |
| Input voltage AC | 180 V - 230 V |



| | |
|---|---------------------|
| Input frequency | 50 Hz |
| Power max. | 4,2 W |
| Power maintained | 3,3 W |
| Power non-maintained | 0,9 W |
| Ambient temperature maintained mode | -5 °C to 35 °C |
| Ambient temperature non-maintained mode | -5 °C to 35 °C |
| Depth | 86 mm |
| Width | 390 mm |
| Height | 99 mm |
| Weight | 0.72 |
| Weight incl. packaging | 0.82 |
| Connection cross-section | 2,5 mm ² |
| Switching input | Yes |
| Emergency light blocking | No |
| Battery connection | Connector |
| Dimming function | No |
| Luminous flux mains | 190 lm |
| Luminous flux emergency | 190 lm |
| EOF | 1 |
| Customs tariff number | 94056120 |
| GTIN | 4260766553448 |



TECHNICAL DRAWING



ACCESSORY LIST

BKW - Robust steel protective grille for emergency lighting

KWIE - Installation frame

LFP3216-SET-2AKKU - Battery

As of: 04.07.2026 - Subject to technical changes and errors.