



**Art.-Nr: FMW403SC-TT-AZ**

**Exit sign Self-contained**

**Wall mounting, 3 h, 20 m, IP65, Zinc die-cast, Anthracite, Set of pictograms, low-temperature batteries**

Robust zinc die-cast emergency exit sign luminaire for mounting on the wall and for identifying emergency and escape routes.

The pictogram is fitted on the inside where it is protected by a transparent pane. Automatic monitoring of safety luminaire with SelfControl. Planning certainty is provided by tool-free, variable use of the pictograms on site. A set of pictograms corresponding to DIN ISO 7010 (arrow to the right, left, up and down) is supplied as standard. The designation "TT" stands for **low-temperature batteries**. These special **lithium iron phosphate batteries** are designed to function reliably even at low temperatures. They offer stable performance and a long lifespan, even under demanding conditions.



More information

[www.rp-group.com/en/item/FMW403SC-TT-AZ](http://www.rp-group.com/en/item/FMW403SC-TT-AZ)



## TECHNICAL DATA

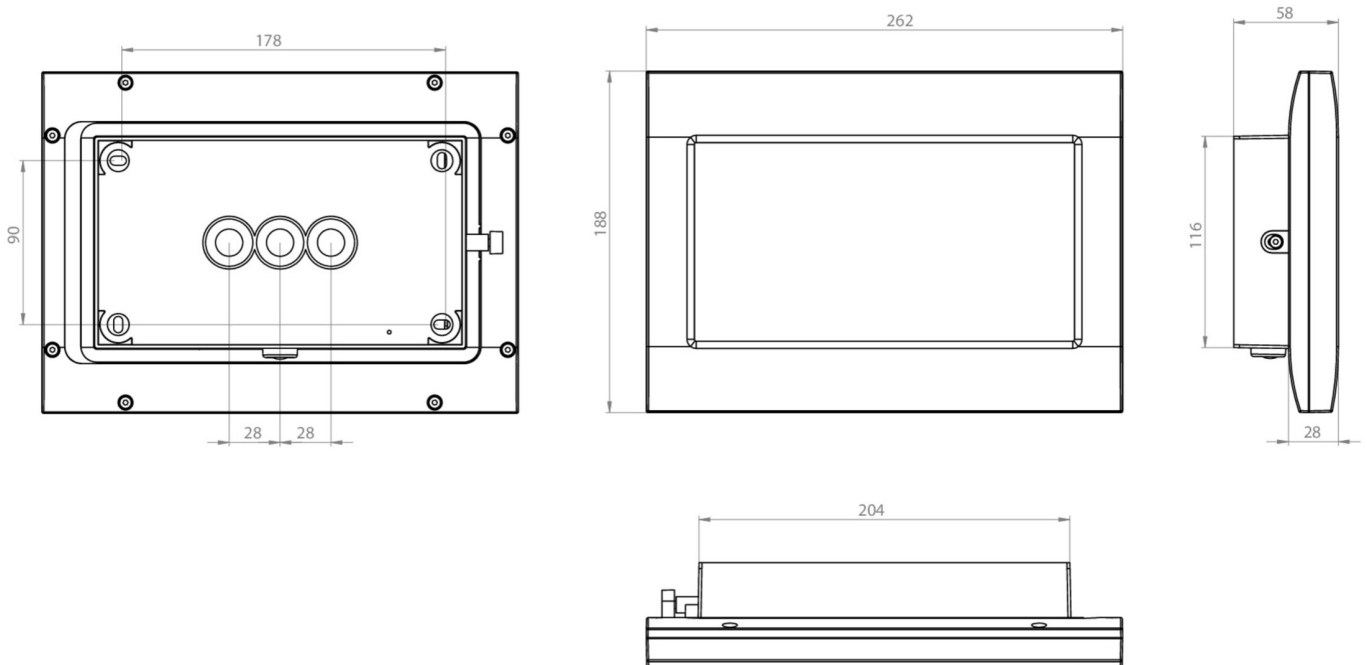
Luminaire type	Exit sign
Mounting	Wall mounting
Recognition distance	20 m
Pictograph	Set
Illuminant	LED
Housing material	Zinc die-cast
Housing color	Anthracite
Protection type (IP)	IP65
Impact resistance (IK)	8
Certification	WEEE, CE, 5 years warranty, D-Sign
Insulation class	1
Supply	Self-contained
Monitoring	SelfControl (SC)
Bridging time	3 h
Battery	LiFePO4 3,2 V/3,3 Ah
Operating mode	Non-maintained / maintained
Input voltage AC	180 V - 250 V



Input frequency	50 Hz
Power max.	5,6 W
Power maintained	4,4 W
Power non-maintained	2 W
Ambient temperature maintained mode	-15 °C to 40 °C
Ambient temperature non-maintained mode	-15 °C to 40 °C
Depth	58 mm
Width	262 mm
Height	188 mm
Weight	2.05
Weight incl. packaging	2.15
Connection cross-section	2,5 mm <sup>2</sup>
Switching input	Yes
Emergency light blocking	No
Battery connection	Connector
Dimming function	No
Customs tariff number	94056180
GTIN	4260766558306



## TECHNICAL DRAWING



## ACCESSORY LIST

FMWA001 -

FMDA001 - Ceiling bracket, one-sided, white - Professional bracket for FM emergency lights

FMDA002-AZ - Double-sided ceiling bracket for emergency lighting - anthracite, FM-compatible

FMFH -

FMDA001-AZ - High-quality ceiling bracket for FM luminaires, one-sided, anthracite

FMDA002 - Professional ceiling bracket (double-sided) for FM emergency lights, white

LFPN3233.01-TT - Battery

As of: 10.07.2026 - Subject to technical changes and errors.