



**Art.-Nr: KLU418SC**  
**Exit sign Self-contained**  
**Universal, 8 h, 34 m, IP43, Polycarbonate, White, Set of pictograms**

Box-shaped plastic emergency exit sign luminaire for universal mounting. Suited to inscription on one or two sides.

The additional downward light emission helps to illuminate emergency and escape routes.

Automatic monitoring of safety luminaire with SelfControl. Planning certainty is provided by tool-free, variable use of the pictograms on site. A set of pictograms corresponding to DIN ISO 7010 (arrow to the right, left, up and down) is supplied as standard.



More information  
[www.rp-group.com/en/item/KLU418SC](http://www.rp-group.com/en/item/KLU418SC)



## TECHNICAL DATA

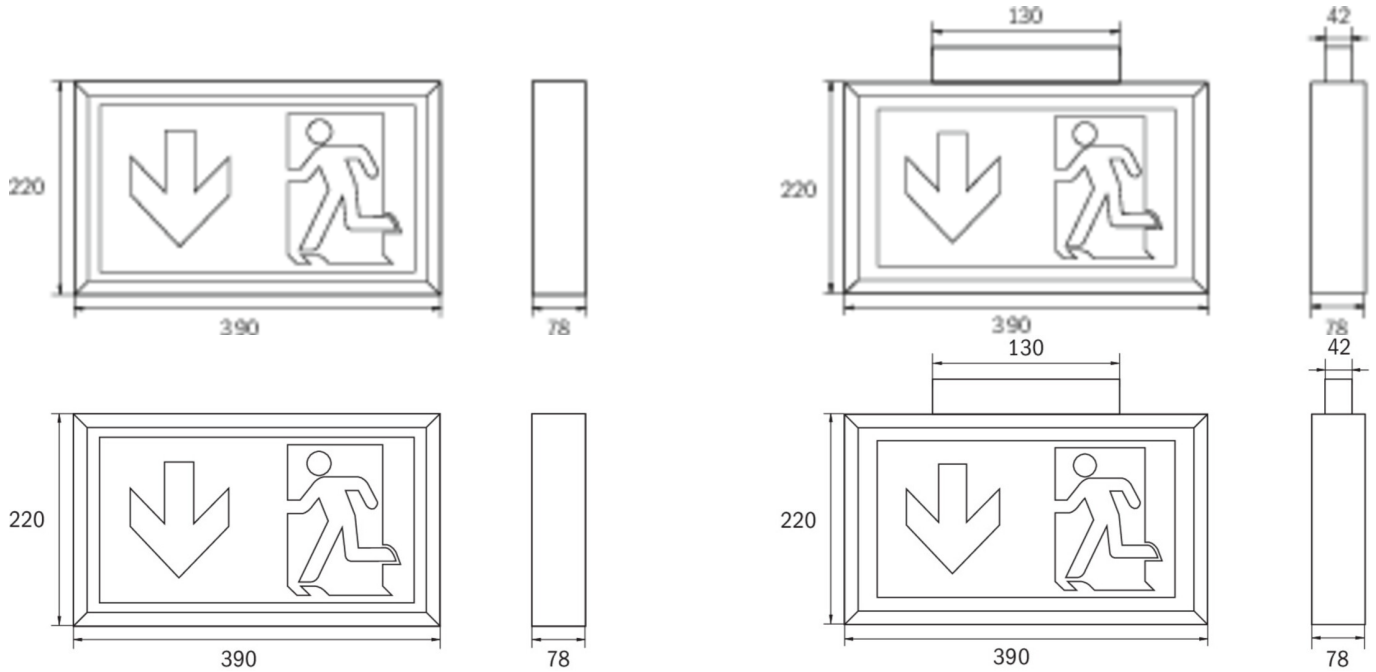
Luminaire type	Exit sign
Mounting	Universal
Recognition distance	34 m
Pictograph	Set
Illuminant	LED
Housing material	Polycarbonate
Housing color	White
Protection type (IP)	IP43
Impact resistance (IK)	≥ 3
Certification	WEEE, CE
Insulation class	2
Supply	Self-contained
Monitoring	SelfControl (SC)
Bridging time	8 h
Battery	LiFePO4 3,2 V/1,6 Ah
Operating mode	Non-maintained / maintained
Input voltage AC	180 V - 230 V
Input frequency	50 Hz



Power max.	2,6 W
Power maintained	1,7 W
Power non-maintained	0,9 W
Ambient temperature maintained mode	-5 °C to 40 °C
Ambient temperature non-maintained mode	-5 °C to 40 °C
Depth	78 mm
Width	390 mm
Height	220 mm
Weight	1.31
Weight incl. packaging	1.47
Connection cross-section	2,5 mm <sup>2</sup>
Switching input	Yes
Emergency light blocking	No
Battery connection	Connector
Dimming function	No
Luminous flux mains	60 lm
Luminous flux emergency	60 lm
Customs tariff number	94056120
GTIN	4262483022757



## TECHNICAL DRAWING



## ACCESSORY LIST

DSA - Wire suspension

BALL2 - Wire mesh guard

2PW-EB - Pendant

2DW-EB - Pre-assembled designer pendant pair with fixed canopy, 4-core, white

As of: 04.07.2026 - Subject to technical changes and errors.