



Art.-Nr: KWIW418SC-TT
Exit sign, Emergency light Self-contained
Wall mounting, 8 h, 16 m, IP65, Polycarbonate, White, Set of pictograms, low-temperature batteries

Classic, robust, plastic, beam-like emergency exit sign luminaire with a high level of protection and self-adhesive pictogram for versatile use.

Intended for wall mounting when used as an emergency exit sign luminaire. Without the use of pictograms, it can be used as a safety luminaire, preferably for ceiling mounting.

Automatic monitoring of safety luminaire with SelfControl. Planning certainty is provided by tool-free, variable use of the pictograms on site. A set of pictograms corresponding to DIN ISO 7010 (arrow to the right, left, up and down) is supplied as standard. The designation "TT" stands for **low-temperature batteries**. These special **lithium iron phosphate batteries** are designed to function reliably even at low temperatures. They offer stable performance and a long lifespan, even under demanding conditions.



More information

www.rp-group.com/en/item/KWIW418SC-TT



TECHNICAL DATA

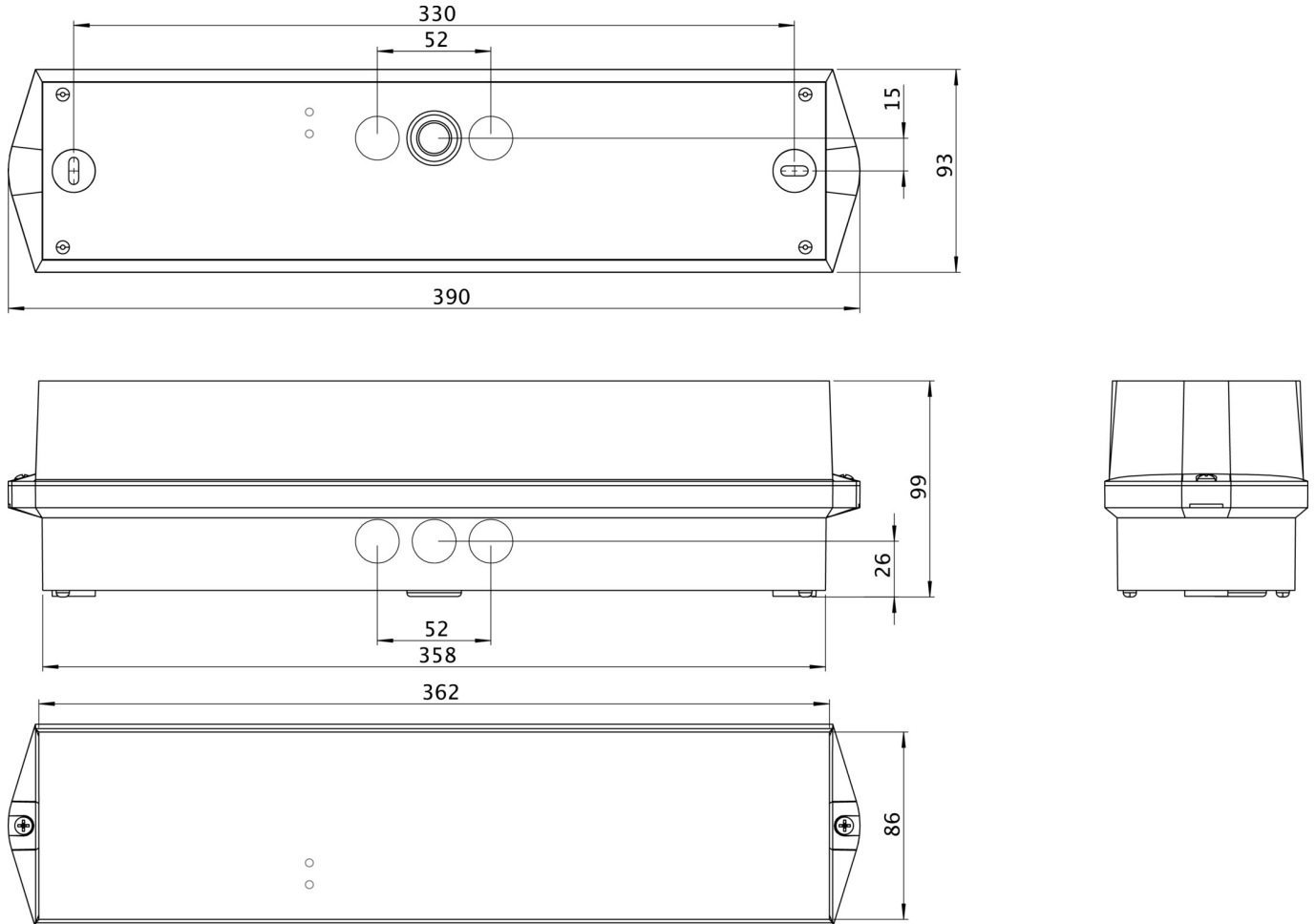
Luminaire type	Exit sign, Emergency light
Mounting	Wall mounting
Recognition distance	16 m
Pictograph	Set
Illuminant	LED
Housing material	Polycarbonate
Housing color	White
Protection type (IP)	IP65
Impact resistance (IK)	6
Certification	WEEE, CE, 5 years warranty, D-Sign
Insulation class	2
Supply	Self-contained
Monitoring	SelfControl (SC)
Bridging time	8 h
Battery	LiFePO4 3,2 V/3,3 Ah



Operating mode	Non-maintained / maintained
Input voltage AC	180 V - 250 V
Input frequency	50 Hz
Power max.	6,7 W
Power maintained	5,2 W
Power non-maintained	2 W
Ambient temperature maintained mode	-15 °C to 35 °C
Ambient temperature non-maintained mode	-15 °C to 35 °C
Depth	86 mm
Width	390 mm
Height	99 mm
Weight	0.79
Weight incl. packaging	0.89
Connection cross-section	2,5 mm ²
Switching input	Yes
Emergency light blocking	No
Battery connection	Connector
Dimming function	No
Luminous flux mains	210 lm
Luminous flux emergency	210 lm
EOF	1
Customs tariff number	94056120
GTIN	4262483022856



TECHNICAL DRAWING



ACCESSORY LIST

BKW - Robust steel protective grille for emergency lighting

KWIE - Installation frame

As of: 04.07.2026 - Subject to technical changes and errors.