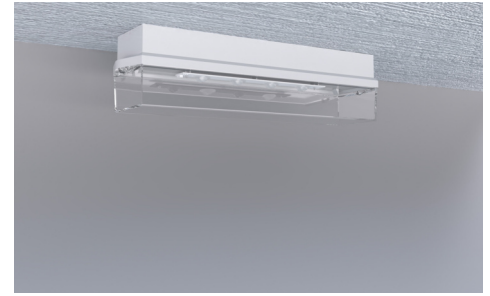




Art.-Nr: KWIW423WL-TT
Emergency light
Universal, IP65, Polycarbonate, White, Flexiklick, low-temperature batteries

Classic, robust, plastic, beam-like safety luminaire with a high level of protection and for versatile use.

Wireless central control and monitoring for large installations of up to 50,000 luminaires with Wireless Professional. The luminaire is fitted with the innovative flexible plug-in system for rapid use of the right lens. The corridor lens is supplied with every luminaire. A round lens, spotlight lens and beam lens are available as options. The designation "TT" stands for **low-temperature batteries**. These special **lithium iron phosphate batteries** are designed to function reliably even at low temperatures. They offer stable performance and a long lifespan, even under demanding conditions.



More information

www.rp-group.com/en/item/KWIW423WL-TT



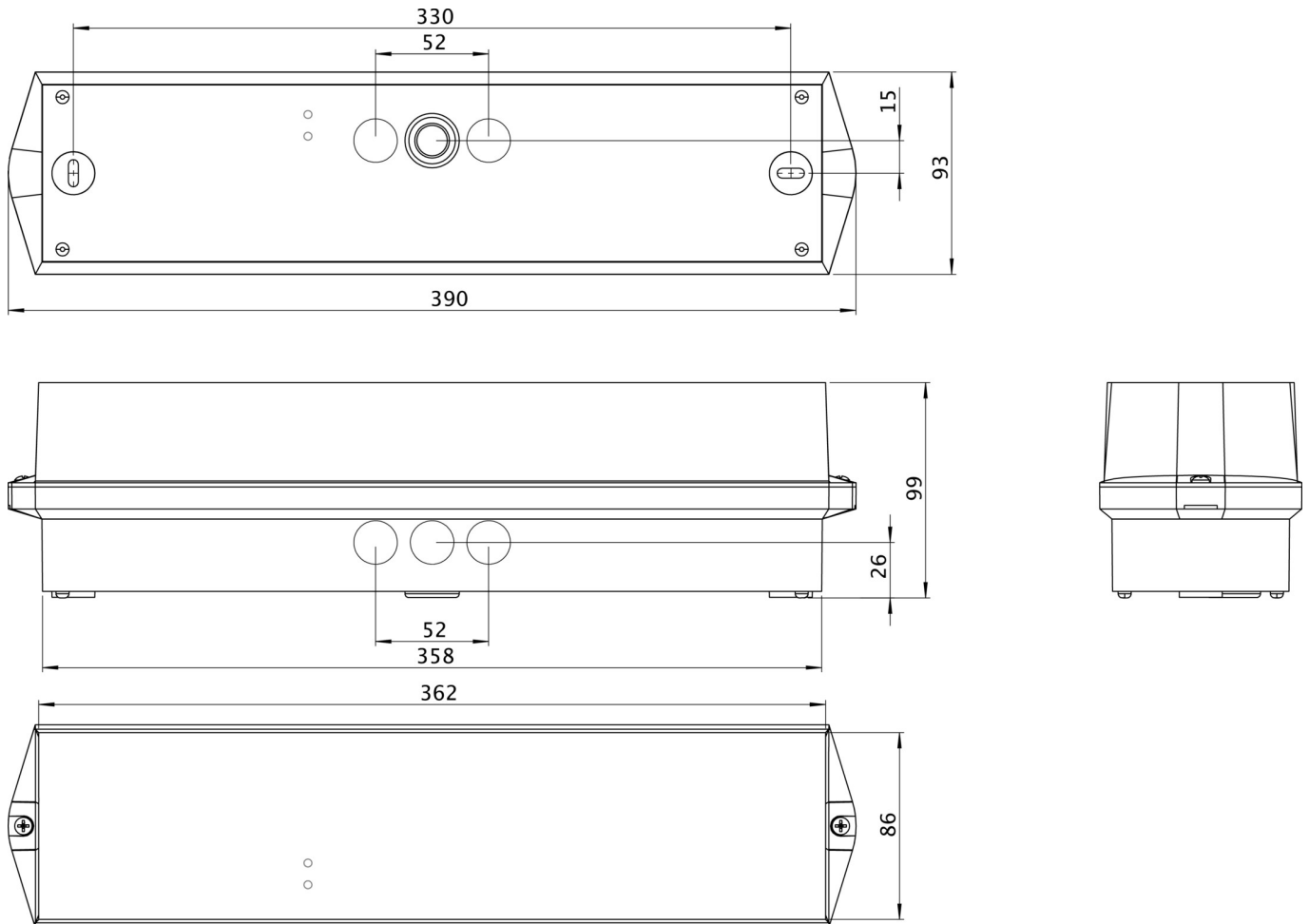
TECHNICAL DATA

Luminaire type	Emergency light
Mounting	Universal
Pictograph	No
Housing material	Polycarbonate
Housing color	White
Protection type (IP)	IP65
Impact resistance (IK)	6
Certification	WEEE, CE, 5 years warranty, D-Sign
Insulation class	2
Monitoring	Wireless Professional (WL)
Battery	/
Ambient temperature maintained mode	-15 °C to 40 °C
Ambient temperature non-maintained mode	-15 °C to 40 °C
Depth	86 mm
Width	390 mm
Height	99 mm
Weight	0.6



Weight incl. packaging	0.7
Customs tariff number	94056120
GTIN	4262483023686

TECHNICAL DRAWING



ACCESSORY LIST

- BKW - Robust steel protective grille for emergency lighting
- KWIE - Installation frame

As of: 04.07.2026 - Subject to technical changes and errors.