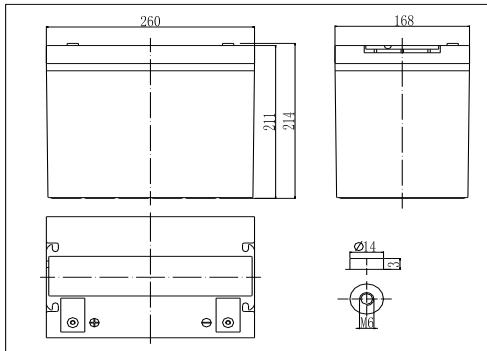


RPower GELOGiV12700L (12V 70Ah GEL Battery)

Floating Life at 20°C designed for up to 12 years

EAN: 4260123683351

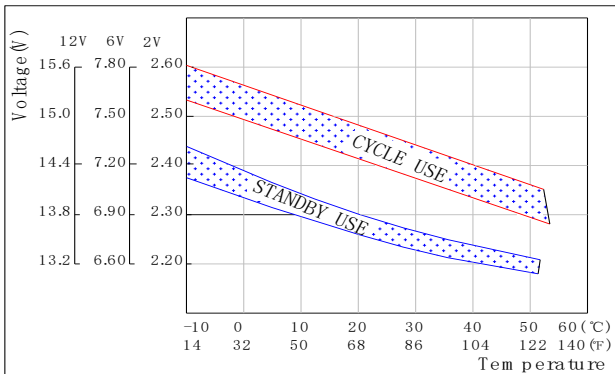
Dimensions



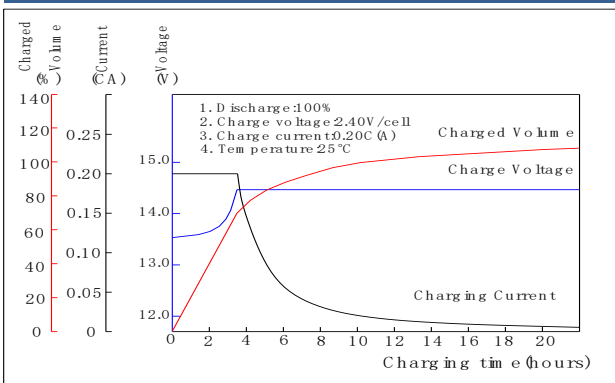
Specifications

Nominal Voltage	12V	
Capacity (20hr@25°C@1.80V/C)	70Ah	
Dimensions (±2mm)	Length	259mm (10.2inch)
	Width	168mm (6.61inch)
	Height	208mm (8.19inch)
	Total Height	214mm (8.43inch)
Approx. Weight	23.00kg (50.71lbs)	
Maximum charging current	17.5A	
Maximum discharge current	700A (5sec.)	
Internal resistance	Approx. 7.9mΩ	
Capacity affected by temperature (10hr)	40°C	103%
	25°C	100%
	0°C	88%
	-15°C	70%
Self-discharge (25°C)	3 month	Remaining Capacity: 94%
	6 month	Remaining Capacity: 88%
	12 month	Remaining Capacity: 75%
Nominal operating temperature	25°C ±3°C (77°F±5°F)	
Operating temperature range	-20°C~55°C (-4°F~131°F)	
Float charging voltage (25°C)	13.65 to 13.80V	
Cyclic charging voltage (25°C)	14.40 to 15.00V	
Terminal material	Copper	

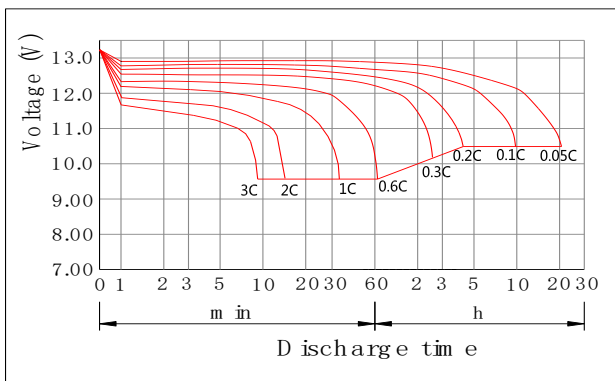
The Relationship for Charging Voltage and Temperature



Charging Characteristics (25°C)



Discharge Characteristics (25°C)



Constant Current Discharge Characteristics (Ampere / Battery, 25°C)

FV / TIME	5min	10min	15min	20min	30min	45min	1h	2h	3h	4h	5h	6h	8h	10h	20h
10.98V	112,60	81,50	69,60	63,50	49,20	37,30	31,20	19,60	14,90	12,20	10,50	9,08	7,24	6,25	3,43
10.80V	123,50	87,80	74,80	67,80	51,90	39,10	32,80	20,40	15,40	12,60	10,80	9,30	7,41	6,38	3,50
10.50V	146,20	101,60	85,40	76,20	57,10	42,30	35,10	21,60	16,20	13,20	11,20	9,63	7,65	6,51	3,57
10.20V	172,20	116,80	94,90	82,10	61,20	44,90	37,10	22,90	16,90	13,60	11,60	9,96	7,88	6,66	3,62
9.90V	186,50	123,90	99,10	85,50	63,60	46,50	38,50	23,50	17,50	14,00	11,80	10,10	8,00	6,74	3,65
9.60V	208,30	136,10	106,70	92,60	68,00	49,90	40,90	24,40	18,20	14,50	12,20	10,40	8,14	6,87	3,70

Constant Power Discharge Characteristics (Watt / Battery, 25°C)

FV / TIME	5min	10min	15min	20min	30min	45min	1h	2h	3h	4h	5h	6h	8h	10h	20h
10.98V	1261,80	917,40	787,80	724,80	566,40	432,00	363,60	229,20	174,60	144,00	124,20	107,40	86,40	74,40	41,04
10.80V	1372,80	981,00	840,00	768,60	595,20	451,80	381,00	237,60	180,00	148,20	127,20	110,40	88,20	76,20	41,88
10.50V	1591,80	1116,00	946,20	854,40	648,00	484,80	405,60	251,40	189,60	154,80	132,00	114,00	90,60	77,40	42,66
10.20V	1837,80	1261,20	1037,40	910,20	688,20	511,20	426,60	265,20	197,40	159,60	135,60	117,60	93,60	79,20	43,14
9.90V	1956,00	1317,00	1066,80	937,20	707,40	525,60	439,80	270,60	202,80	162,60	138,00	118,80	94,80	80,40	43,50
9.60V	2142,60	1419,00	1129,80	1003,80	750,60	560,40	465,00	280,20	209,40	168,60	141,60	121,20	96,00	81,60	44,10