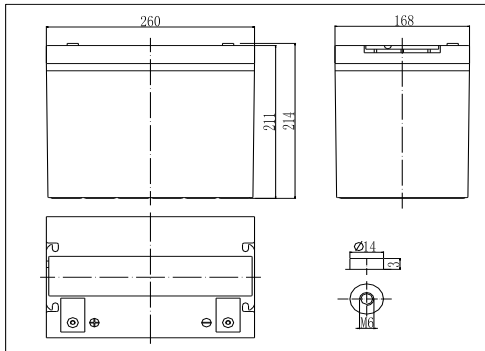


RPower OGiV12800LW (12V 80Ah AGM Battery)

Floating Life at 20°C designed for up to 12 years

EAN: 4260349823562

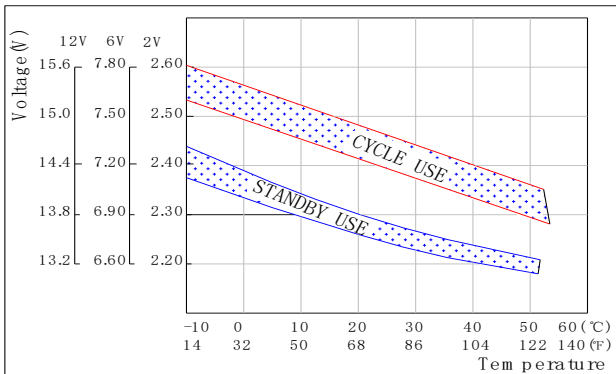
Dimensions



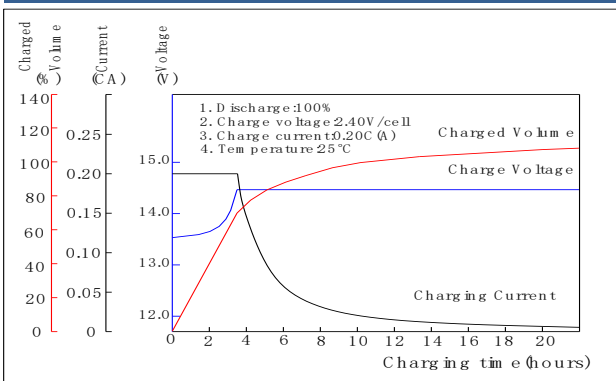
Specifications

Nominal Voltage		12V
Capacity (10hr@25°C@1.80V/C)		80Ah
Dimensions (±2mm)	Length	260mm (10.2inch)
	Width	168mm (6.61inch)
	Height	211mm (8.31inch)
	Total Height	214mm (8.43inch)
Approx. Weight		22.40kg (49.38lbs)
Maximum charging current		24A
Maximum discharge current		800A (5sec.)
Internal resistance		Approx. 5.5mΩ
Capacity affected by temperature (20hr)	40°C	103%
	25°C	100%
	0°C	86%
	-15°C	65%
Self-discharge (25°C)	3 month	Remaining Capacity: 91%
	6 month	Remaining Capacity: 82%
	12 month	Remaining Capacity: 65%
Nominal operating temperature		25°C ±3°C (77°F±5°F)
Operating temperature range		-20°C~55°C (-4°F~131°F)
Float charging voltage (25°C)		13.65 to 13.80V
Cyclic charging voltage (25°C)		14.40 to 15.00V
Terminal material		Copper

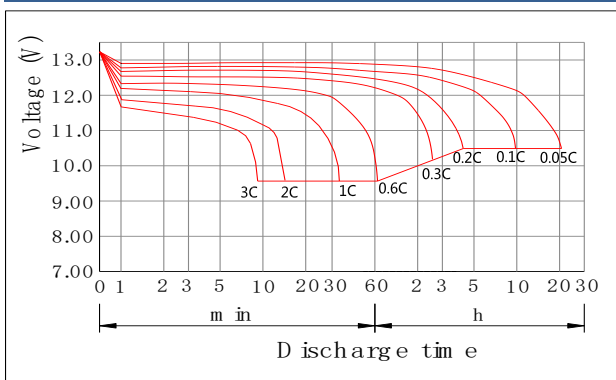
The Relationship for Charging Voltage and Temperature



Charging Characteristics (25°C)



Discharge Characteristics (25°C)



Constant Current Discharge Characteristics (Ampere / Battery, 25°C)

FV / TIME	5min	10min	15min	20min	30min	45min	1h	2h	3h	4h	5h	6h	8h	10h	20h
10.98V	202,00	134,00	109,00	89,10	69,00	51,70	43,70	27,10	18,90	15,50	13,20	11,60	9,07	7,84	4,13
10.80V	212,00	141,00	114,00	92,90	71,40	53,60	45,20	27,60	19,40	15,90	13,60	11,90	9,31	8,00	4,20
10.50V	224,00	150,00	120,00	98,10	74,20	55,60	46,70	28,40	20,00	16,40	14,00	12,20	9,60	8,06	4,23
10.20V	224,00	150,00	120,00	98,10	74,20	55,60	46,70	28,40	20,00	16,40	14,00	12,20	9,60	8,06	4,23
9.90V	244,00	163,00	129,00	105,00	78,40	58,80	48,90	29,10	20,30	16,60	14,20	12,40	9,73	8,13	4,27
9.60V	252,00	168,00	132,00	108,00	80,00	60,00	49,60	29,20	20,40	16,70	14,30	12,50	9,79	8,14	4,28

Constant Power Discharge Characteristics (Watt / Battery, 25°C)

FV / TIME	5min	10min	15min	20min	30min	45min	1h	2h	3h	4h	5h	6h	8h	10h	20h
10.98V	2117,00	1452,00	1196,00	978,00	774,00	580,00	498,00	313,00	222,00	182,00	156,00	137,00	108,00	93,60	49,50
10.80V	2223,00	1524,00	1246,00	1020,00	802,00	601,00	516,00	320,00	228,00	187,00	161,00	140,00	111,00	95,50	50,40
10.50V	2355,00	1615,00	1316,00	1077,00	832,00	624,00	532,00	329,00	235,00	193,00	165,00	145,00	114,00	96,20	50,80
10.20V	2461,00	1687,00	1362,00	1115,00	853,00	640,00	543,00	334,00	237,00	194,00	167,00	146,00	115,00	96,80	51,10
9.90V	2567,00	1760,00	1415,00	1157,00	880,00	660,00	557,00	337,00	238,00	196,00	168,00	147,00	116,00	97,00	51,20
9.60V	2646,00	1814,00	1449,00	1186,00	898,00	673,00	565,00	339,00	240,00	197,00	169,00	148,00	116,00	97,20	51,30