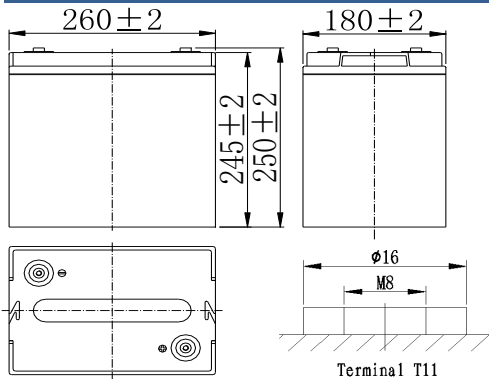


RPower 6V 4 OPzS 120 LW (6V 120Ah OPzS Battery)

Floating Life at 20°C designed for up to 20 years

EAN: 4260349822466

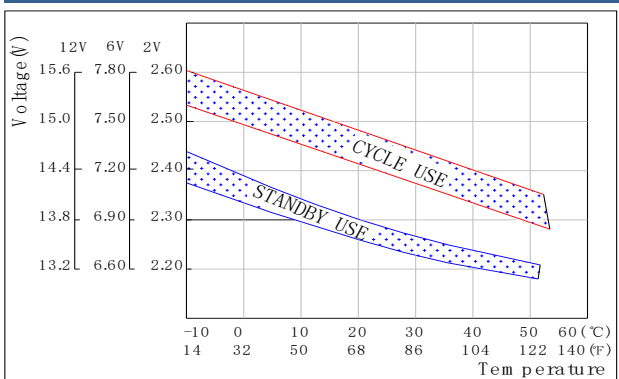
Dimensions



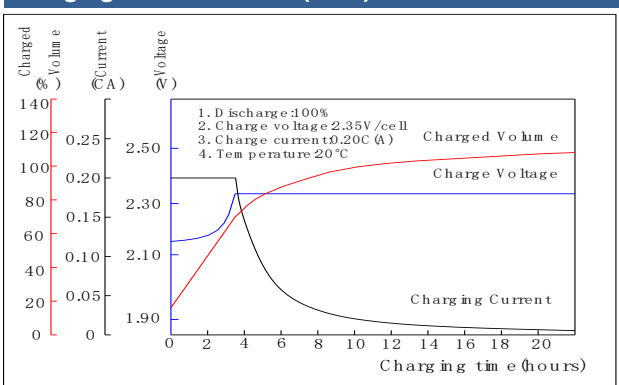
Specifications

Nominal Voltage	6V	
Capacity (10hr@25°C@1.80V/C)	120Ah	
Dimensions (±2mm)	Length	260mm (10.2inch)
	Width	180mm (7.09inch)
	Height	245mm (9.65inch)
	Total Height	250mm (9.84inch)
Approx. Weight (Wet)	22.00kg (48.50lbs)	
Maximum charging current	36A	
Maximum discharge current	625A (5sec.)	
Internal resistance	Approx. 5.8mΩ	
Capacity affected by temperature (10hr)	40°C	102%
	25°C	100%
	0°C	85%
	-15°C	65%
Self-discharge (25°C)	3 month	Remaining Capacity: 93%
	6 month	Remaining Capacity: 85%
	12 month	Remaining Capacity: 72%
Nominal operating temperature	25°C ±3°C (77°F±5°F)	
Operating temperature range	-20°C~50°C (-4°F~122°F)	
Float charging voltage (25°C)	6.60 to 6.75V	
Cyclic charging voltage (25°C)	7.05 to 7.20V	
Terminal material	Copper	

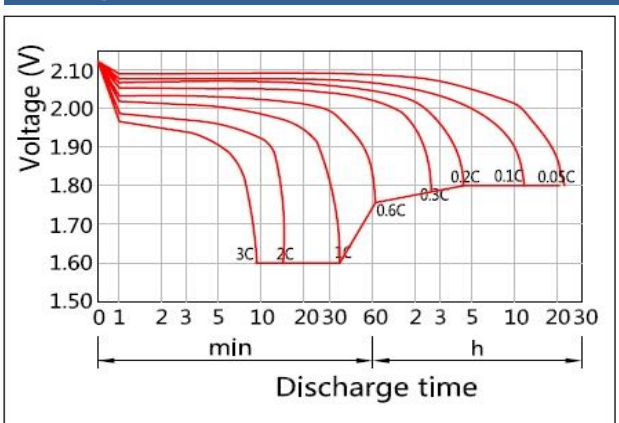
The Relationship for Charging Voltage and Temperature



Charging Characteristics (25°C)



Discharge Characteristics (25°C)



Constant Current Discharge Characteristics (Ampere / Battery, 25°C)

FV / TIME	5min	10min	15min	20min	30min	45min	1h	2h	3h	4h	5h	6h	8h	10h	20h
5.49V	130,82	118,50	114,14	100,86	93,15	74,21	59,22	39,48	29,03	24,16	20,32	17,27	13,21	11,52	6,22
5.40V	139,10	126,00	119,71	105,78	97,52	77,69	61,29	40,32	29,80	24,91	20,95	17,81	13,62	12,00	6,48
5.25V	147,38	133,50	126,39	111,68	101,23	80,65	63,24	41,37	30,72	25,68	21,60	18,36	14,04	12,08	6,53
5.10V	154,01	139,50	130,85	115,62	103,74	82,65	64,51	42,00	30,94	25,86	21,75	18,49	14,14	12,16	6,56
4.95V	160,63	145,50	135,86	120,05	107,02	85,26	66,19	42,38	31,37	26,22	22,06	18,75	14,34	12,19	6,58
4.80V	165,60	150,00	139,20	123,00	109,20	87,00	67,20	42,63	31,55	26,38	22,19	18,86	14,42	12,22	6,60

Constant Power Discharge Characteristics (Watt / Battery, 25°C)

FV / TIME	5min	10min	15min	20min	30min	45min	1h	2h	3h	4h	5h	6h	8h	10h	20h
5.49V	702,52	639,90	626,65	553,72	522,56	416,32	337,53	228,59	170,70	142,07	120,11	102,09	78,47	68,77	37,32
5.40V	746,99	680,40	657,22	580,73	547,06	435,85	349,33	233,45	175,21	146,47	123,83	105,25	80,90	71,64	38,88
5.25V	791,45	720,90	693,90	613,15	567,89	452,44	360,44	239,53	180,63	151,00	127,66	108,51	83,40	72,14	39,15
5.10V	827,02	753,30	718,36	634,75	581,98	463,67	367,72	243,18	181,90	152,06	128,55	109,27	83,98	72,57	39,39
4.95V	862,59	785,70	745,87	659,06	600,36	478,31	377,29	245,37	184,44	154,18	130,35	110,80	85,16	72,79	39,50
4.80V	889,27	810,00	764,21	675,27	612,61	488,07	383,04	246,83	185,54	155,10	131,12	111,45	85,66	72,93	39,58