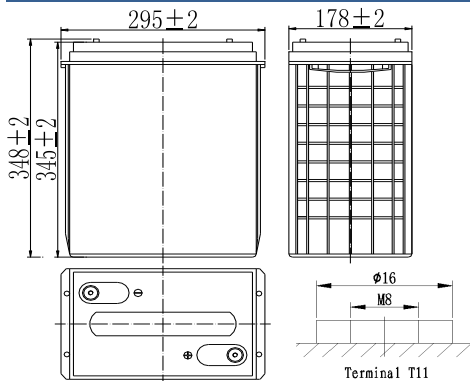


RPower 6V 6 OPzS 200 LW (6V 200Ah OPzS Battery)

Floating Life at 20°C designed for up to 20 years

EAN: 4260349822503

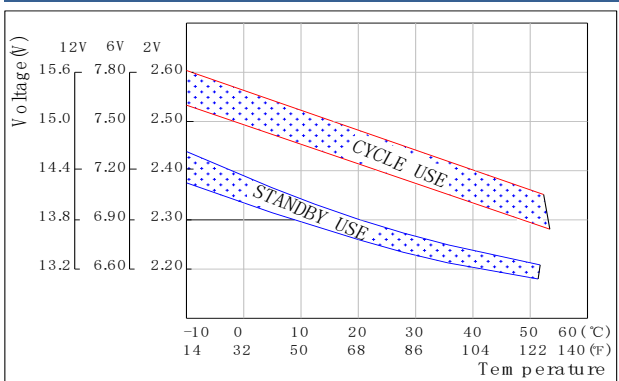
Dimensions



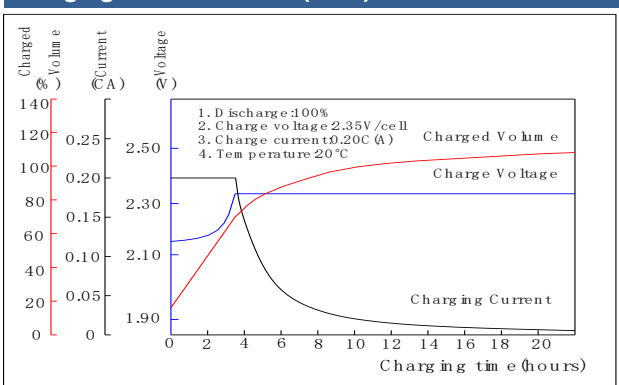
Specifications

Nominal Voltage		6V
Capacity (10hr@25°C@1.80V/C)		200Ah
Dimensions (±2mm)	Length	295mm (11.6inch)
	Width	178mm (7.01inch)
	Height	345mm (13.6inch)
	Total Height	348mm (13.7inch)
Approx. Weight (Wet)		36.50kg (80.47lbs)
Maximum charging current		60A
Maximum discharge current		1.160A (5sec.)
Internal resistance		Approx. 2.6mΩ
Capacity affected by temperature (10hr)	40°C	102%
	25°C	100%
	0°C	85%
	-15°C	65%
Self-discharge (25°C)	3 month	Remaining Capacity: 93%
	6 month	Remaining Capacity: 85%
	12 month	Remaining Capacity: 72%
Nominal operating temperature		25°C ±3°C (77°F±5°F)
Operating temperature range		-20°C~50°C (-4°F~122°F)
Float charging voltage (25°C)		6.60 to 6.75V
Cyclic charging voltage (25°C)		7.05 to 7.20V
Terminal material		Copper

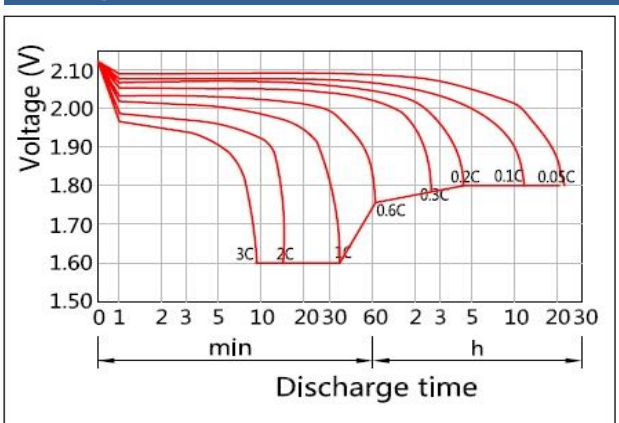
The Relationship for Charging Voltage and Temperature



Charging Characteristics (25°C)



Discharge Characteristics (25°C)



Constant Current Discharge Characteristics (Ampere / Battery, 25°C)

FV / TIME	5min	10min	15min	20min	30min	45min	1h	2h	3h	4h	5h	6h	8h	10h	20h
5.49V	218,04	197,50	190,24	168,10	155,25	123,69	98,69	65,80	48,38	40,27	33,87	28,79	22,02	19,20	10,37
5.40V	231,84	210,00	199,52	176,30	162,53	129,49	102,14	67,20	49,66	41,52	34,92	29,68	22,70	20,00	10,80
5.25V	245,64	222,50	210,66	186,14	168,71	134,42	105,39	68,95	51,20	42,80	36,00	30,60	23,40	20,14	10,88
5.10V	256,68	232,50	218,08	192,70	172,90	137,75	107,52	70,00	51,56	43,10	36,25	30,81	23,56	20,26	10,94
4.95V	267,72	242,50	226,43	200,08	178,36	142,10	110,32	70,63	52,28	43,70	36,76	31,25	23,89	20,32	10,97
4.80V	276,00	250,00	232,00	205,00	182,00	145,00	112,00	71,05	52,59	43,96	36,98	31,43	24,04	20,36	10,99

Constant Power Discharge Characteristics (Watt / Battery, 25°C)

FV / TIME	5min	10min	15min	20min	30min	45min	1h	2h	3h	4h	5h	6h	8h	10h	20h
5.49V	1170,87	1066,50	1044,42	922,87	870,93	693,87	562,56	380,98	284,50	236,79	200,19	170,16	130,78	114,62	62,21
5.40V	1244,98	1134,00	1095,36	967,89	911,77	726,41	582,22	389,09	292,02	244,11	206,38	175,42	134,83	119,40	64,80
5.25V	1319,09	1201,50	1156,50	1021,91	946,49	754,07	600,73	399,22	301,06	251,66	212,76	180,85	139,00	120,24	65,25
5.10V	1378,37	1255,50	1197,26	1057,92	969,97	772,78	612,86	405,30	303,16	253,43	214,25	182,11	139,97	120,95	65,64
4.95V	1437,66	1309,50	1243,11	1098,44	1000,60	797,18	628,82	408,95	307,41	256,97	217,25	184,66	141,93	121,31	65,84
4.80V	1482,12	1350,00	1273,68	1125,45	1021,02	813,45	638,40	411,38	309,23	258,49	218,53	185,75	142,77	121,55	65,97