

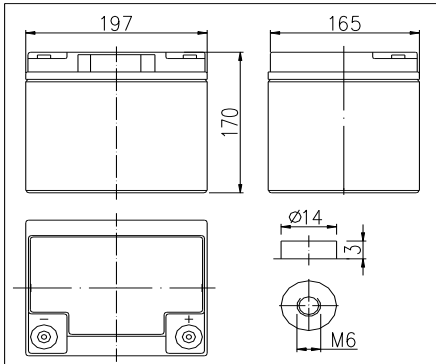
RPower VDS12-40,0 (12V 40Ah AGM Battery)

VdS No. G117047

EAN: 4260349822664

Floating Life at 20°C designed for up to 6 years

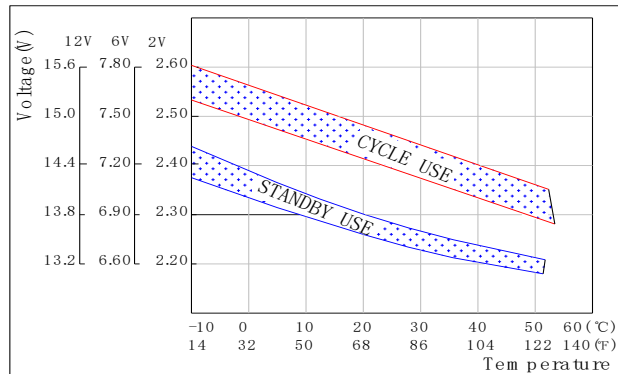
Dimensions



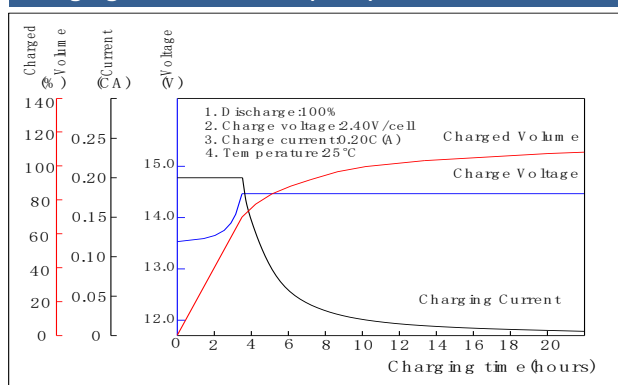
Specifications

Nominal Voltage		12V
Capacity (20hr@25°C)		40Ah
Dimensions (±2mm)	Length	197mm (7.76inch)
	Width	165mm (6.50inch)
	Height	170mm (6.69inch)
	Total Height	170mm (6.69inch)
Approx. Weight		13.50kg (29.76lbs)
Maximum charging current		12.0A
Maximum discharge current		400A (5sec.)
Internal resistance		Approx. 9.5mΩ
Capacity affected by temperature (20hr)	40°C	102%
	25°C	100%
	0°C	85%
	-15°C	65%
Self-discharge (25°C)	3 month	Remaining Capacity: 91%
	6 month	Remaining Capacity: 82%
	12 month	Remaining Capacity: 65%
Nominal operating temperature		25°C ±3°C (77°F±5°F)
Operating temperature range		-20°C~50°C (-4°F~122°F)
Float charging voltage (25°C)		13.65 to 13.80V
Cyclic charging voltage (25°C)		14.40 to 15.00V
Terminal material		Copper

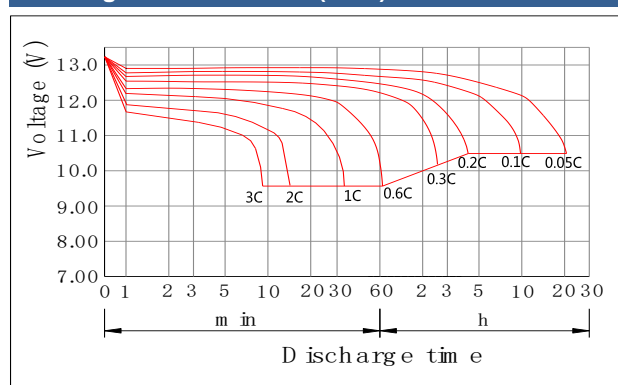
The Relationship for Charging Voltage and Temperature



Charging Characteristics (25°C)



Discharge Characteristics (25°C)



Constant Current Discharge Characteristics (Ampere / Battery, 25°C)

FV / TIME	5min	10min	15min	30min	1h	3h	5h	10h	20h
10.80V	109,00	72,30	60,00	36,50	23,70	10,00	7,06	4,00	2,05
10.20V	116,00	77,00	65,30	38,40	25,00	10,20	7,20	4,02	2,10
9.60V	122,00	84,00	68,00	40,00	26,00	10,40	7,31	4,06	2,10

Constant Power Discharge Characteristics (Watt / Battery, 25°C)

FV / TIME	5min	10min	15min	30min	1h	3h	5h	10h	20h
10.80V	1144,00	791,00	670,00	409,00	270,00	118,00	83,40	48,00	24,60
10.20V	1217,00	840,00	700,00	431,00	285,00	120,00	85,10	48,00	25,20
9.60V	1281,00	885,00	720,00	449,00	296,00	122,00	86,40	48,50	25,20