



**Art.-Nr: AIE003SC-AZ**  
**Exit sign Self-contained**  
**Ceiling mounting, SelfControl (SC), 3 h, 15 m, IP20, Zinc die-cast, Anthracite**

Modern zinc die-cast emergency exit sign luminaire for recessed mounting in the ceiling. With an installation diameter of 68 mm, this luminaire can be easily integrated into many environments. Escape and emergency routes can be identified on either one or two sides.

It is part of the A series luminaire family, which provides solutions for any mounting and has won the German Design Award for its uniform, straight-line design.

Automatic monitoring of safety luminaire with SelfControl. Planning certainty is provided by tool-free, variable use of the pictograms on site. A set of pictograms corresponding to DIN ISO 7010 (arrow to the right, left, up and down) is supplied as standard.



More information

[www.rp-group.com/en/item/AIE003SC-AZ](http://www.rp-group.com/en/item/AIE003SC-AZ)



## TECHNICAL DATA

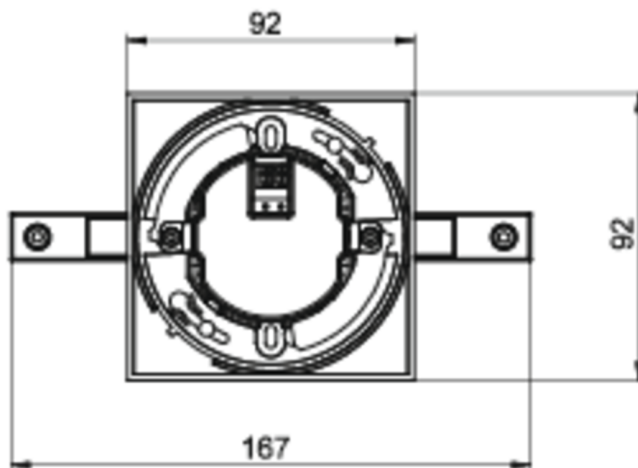
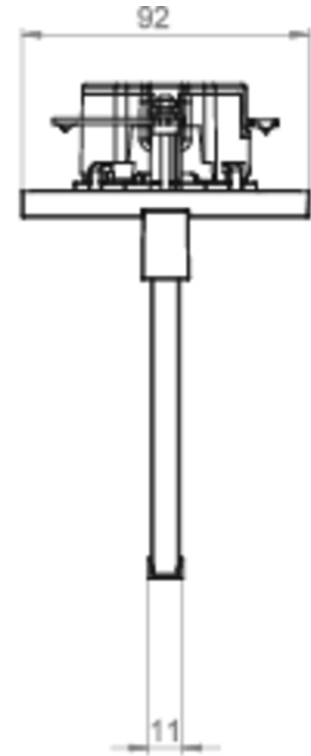
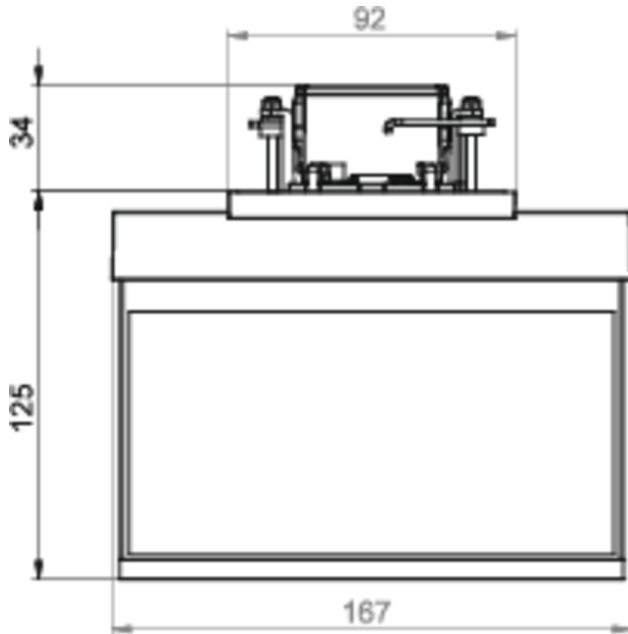
|                        |                             |
|------------------------|-----------------------------|
| Luminaire type         | Exit sign                   |
| Mounting               | Ceiling mounting            |
| Recognition distance   | 15 m                        |
| Pictograph             | Set                         |
| Illuminant             | LED                         |
| Housing material       | Zinc die-cast               |
| Housing color          | Anthracite                  |
| Protection type (IP)   | IP20                        |
| Impact resistance (IK) | ≥ 3                         |
| Certification          | WEEE, CE                    |
| Insulation class       | 2                           |
| Supply                 | Self-contained              |
| Monitoring             | SelfControl (SC)            |
| Bridging time          | 3 h                         |
| Battery                | NIMH 4,8 V/2,0 Ah           |
| Operating mode         | Non-maintained / maintained |



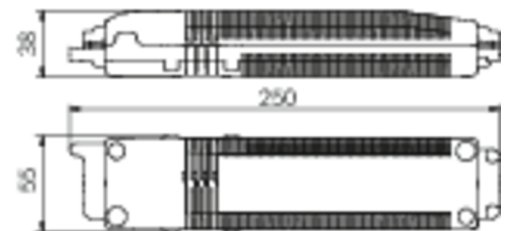
|   |                     |
|---|---------------------|
| Input voltageAC                         | 230 V               |
| Input frequency                         | 50 / 60 Hz          |
| Power max.                              | 3,7 W               |
| Power maintained                        | 3,7 W               |
| Power non-maintained                    | 1,9 W               |
| Ambient temperature maintained mode     | -5 °C to 40 °C      |
| Ambient temperature non-maintained mode | -5 °C to 40 °C      |
| Depth                                   | 92 mm               |
| Width                                   | 167 mm              |
| Height                                  | 159 mm              |
| Installation dimensions Diameter        | 68 mm               |
| Weight                                  | 0.69                |
| Weight incl. packaging                  | 0.94                |
| Connection cross-section                | 2.5 mm <sup>2</sup> |
| Switching input                         | Yes                 |
| Emergency light blocking                | Yes                 |
| Battery connection                      | Connector           |
| Dimming function                        | Yes                 |
| Customs tariff number                   | 94056180            |
| EAN                                     | 4260581713294       |



TECHNICAL DRAWING



Elektronik Box





## RELATED PRODUCTS

| Art.-No.   | Image | Monitoring       | Supply         | Color     | Investment | Automatic log | Maintenance level | Remote maintenance | max. luminaires | Single luminaire monitoring |
|------------|-------|------------------|----------------|-----------|------------|---------------|-------------------|--------------------|-----------------|-----------------------------|
| AIE003SC   |       | SelfControl (SC) | Single battery | RAL 9003  | €          | no            | high              | no                 | unlimited       | itself                      |
| AIE003SC-E |       | SelfControl (SC) | Single battery | Edelstahl | €          | no            | high              | no                 | unlimited       | itself                      |

As of: 14.05.2025 - Subject to technical changes and errors.