



Art.-Nr: AMC003SC-E
Exit sign Self-contained
Ceiling mounting, SelfControl (SC), 3 h, 22 m, IP20, Zinc die-cast, Stainless steel

Modern zinc die-cast emergency exit sign luminaire for recessed mounting in the ceiling. Escape and emergency routes can be identified on either one or two sides.

It is part of the A series luminaire family, which provides solutions for any mounting and has won the German Design Award for its uniform, straight-line design.

Automatic monitoring of safety luminaire with SelfControl. Planning certainty is provided by tool-free, variable use of the pictograms on site. A set of pictograms corresponding to DIN ISO 7010 (arrow to the right, left, up and down) is supplied as standard.



More information

www.rp-group.com/en/item/AMC003SC-E



TECHNICAL DATA

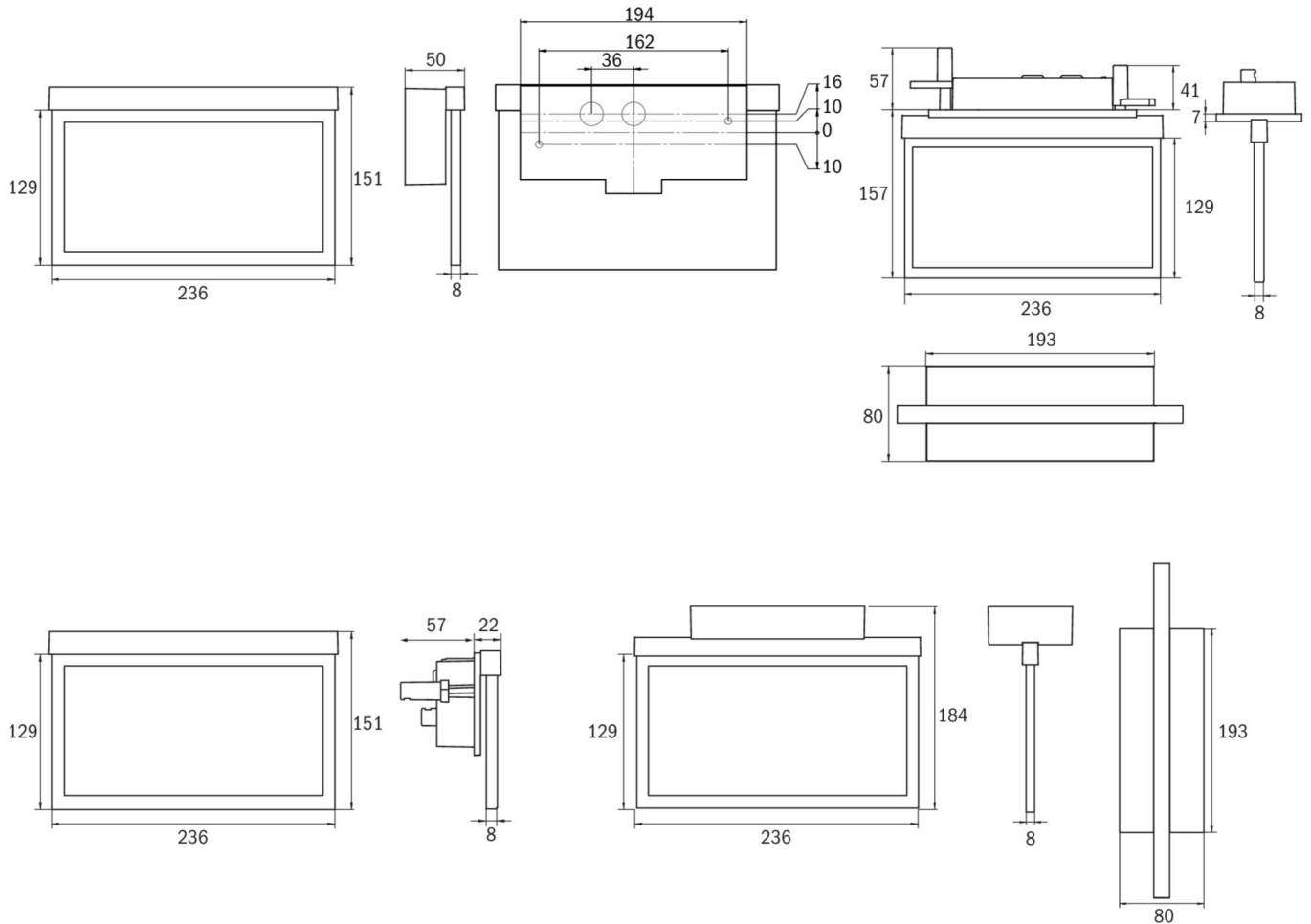
| | |
|------------------------|-----------------------------|
| Luminaire type | Exit sign |
| Mounting | Ceiling mounting |
| Recognition distance | 22 m |
| Pictograph | Set |
| Illuminant | LED |
| Housing material | Zinc die-cast |
| Housing color | Stainless steel |
| Protection type (IP) | IP20 |
| Impact resistance (IK) | ≥ 3 |
| Certification | WEEE, CE |
| Insulation class | 2 |
| Supply | Self-contained |
| Monitoring | SelfControl (SC) |
| Bridging time | 3 h |
| Battery | NIMH 4,8 V/2,0 Ah |
| Operating mode | Non-maintained / maintained |
| Input voltageAC | 230 V |



| | |
|---|---------------------|
| Input frequency | 50 / 60 Hz |
| Power max. | 4,7 W |
| Power maintained | 4,7 W |
| Power non-maintained | 1,95 W |
| Ambient temperature maintained mode | -5 °C to 40 °C |
| Ambient temperature non-maintained mode | -5 °C to 40 °C |
| Depth | 80 mm |
| Width | 236 mm |
| Height | 214 mm |
| Installation length | 176 mm |
| Installation width | 68 mm |
| Installation height | 40 mm |
| Weight | 1.22 |
| Weight incl. packaging | 1.58 |
| Connection cross-section | 2.5 mm ² |
| Switching input | Yes |
| Emergency light blocking | Yes |
| Battery connection | Connector |
| Dimming function | Yes |
| Customs tariff number | 94056180 |
| EAN | 4260581713744 |



TECHNICAL DRAWING



ACCESSORY LIST

AM-XBE -



RELATED PRODUCTS

| Art.-No. | Image | Monitoring | Supply | Color | Investment | Automatic log | Maintenance level | Remote maintenance | max. luminaires | Single luminaire monitoring |
|-------------|-------|------------------|----------------|----------|------------|---------------|-------------------|--------------------|-----------------|-----------------------------|
| AMC003SC | | SelfControl (SC) | Single battery | RAL 9003 | € | no | high | no | unlimited | itself |
| AMC003SC-AZ | | SelfControl (SC) | Single battery | RAL 7016 | € | no | high | no | unlimited | itself |

As of: 14.05.2025 - Subject to technical changes and errors.