



Art.-Nr: AMD009-AZ
Exit sign Centralised power supply systems
Surface mounting, Without monitoring, CPS, 22 m, IP40, Zinc die-cast, Anthracite

Modern zinc die-cast emergency exit sign luminaire for surface mounting on the ceiling. Escape and emergency routes can be identified on either one or two sides.

It is part of the A series luminaire family, which provides solutions for any mounting and has won the German Design Award for its uniform, straight-line design.

Planning certainty is provided by tool-free, variable use of the pictograms on site. A set of pictograms corresponding to DIN ISO 7010 (arrow to the right, left, up and down) is supplied as standard.



More information
www.rp-group.com/en/item/AMD009-AZ



TECHNICAL DATA

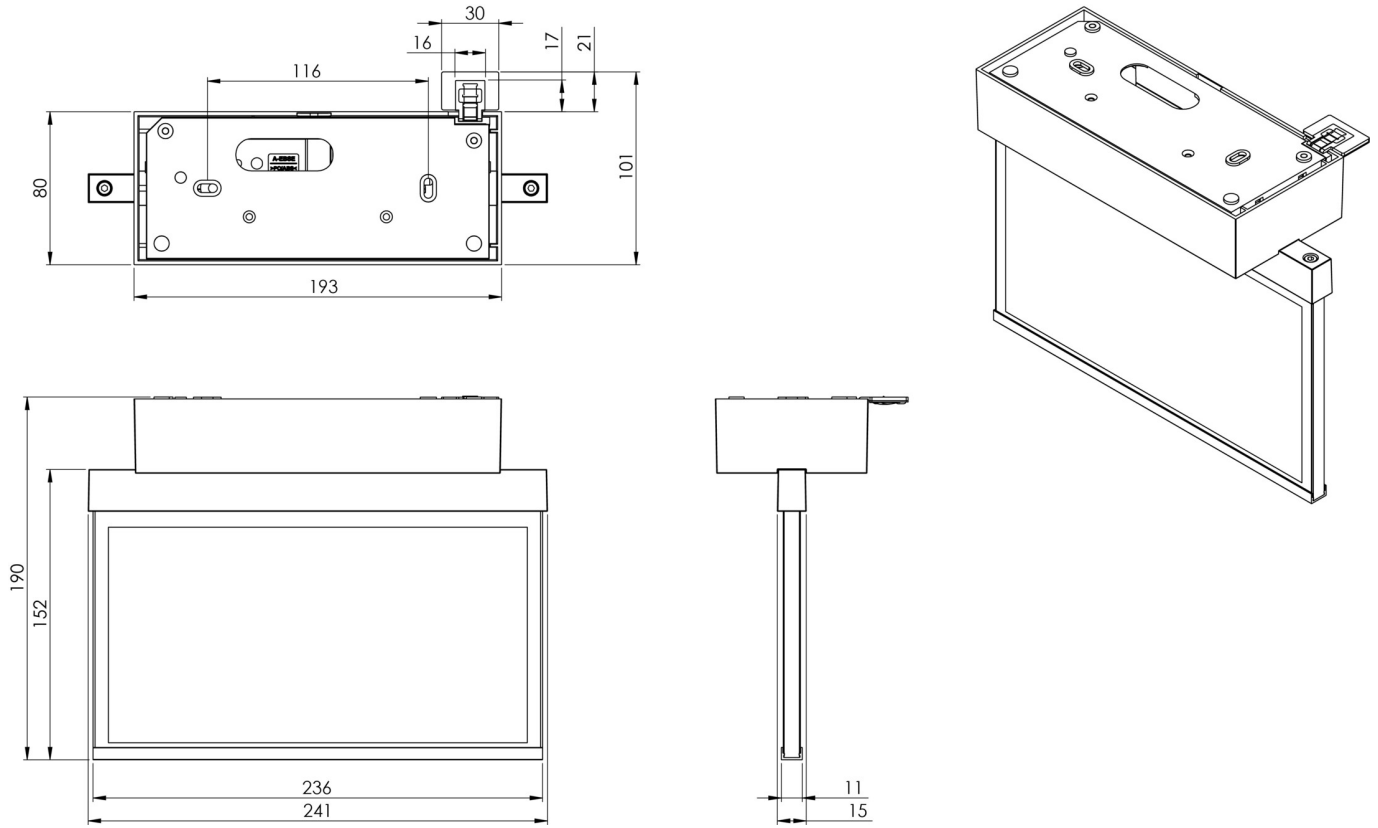
| | |
|------------------------|----------------------------------|
| Luminaire type | Exit sign |
| Mounting | Surface mounting |
| Recognition distance | 22 m |
| Pictograph | Set |
| Illuminant | LED |
| Housing material | Zinc die-cast |
| Housing color | Anthracite |
| Protection type (IP) | IP40 |
| Impact resistance (IK) | ≥ 3 |
| Certification | WEEE, CE |
| Insulation class | 2 |
| Supply | Centralised power supply systems |
| Monitoring | Without monitoring |
| Bridging time | CPS |
| Battery | / |
| Operating mode | Permanent circuit |
| Input voltageAC | 230 V |



| | |
|---|---------------------|
| Input frequency | 50 / 60 Hz |
| Input voltage DC | 100-254 V |
| Power max. | 4,5 W |
| Power maintained | 4,5 W |
| Power non-maintained | 0 W |
| Ambient temperature maintained mode | -25 °C to 40 °C |
| Ambient temperature non-maintained mode | -25 °C to 40 °C |
| Depth | 80 mm |
| Width | 236 mm |
| Height | 184 mm |
| Weight | 1.08 |
| Weight incl. packaging | 1.44 |
| Connection cross-section | 1.5 mm ² |
| Switching input | No |
| Emergency light blocking | No |
| Battery connection | No |
| Dimming function | No |
| Customs tariff number | 94056180 |
| EAN | 4260581714109 |



TECHNICAL DRAWING



ACCESSORY LIST

AM-X-APA - Surface-mounted adapter AM/AX

As of: 14.05.2025 - Subject to technical changes and errors.