



**Art.-Nr: AMD009**  
**Exit sign Centralised power supply systems**  
**Surface mounting, Without monitoring, CPS, 22 m, IP40, Zinc die-cast, White**

Modern zinc die-cast emergency exit sign luminaire for surface mounting on the ceiling. Escape and emergency routes can be identified on either one or two sides.

It is part of the A series luminaire family, which provides solutions for any mounting and has won the German Design Award for its uniform, straight-line design.

Planning certainty is provided by tool-free, variable use of the pictograms on site. A set of pictograms corresponding to DIN ISO 7010 (arrow to the right, left, up and down) is supplied as standard.



More information  
[www.rp-group.com/en/item/AMD009](http://www.rp-group.com/en/item/AMD009)



## TECHNICAL DATA

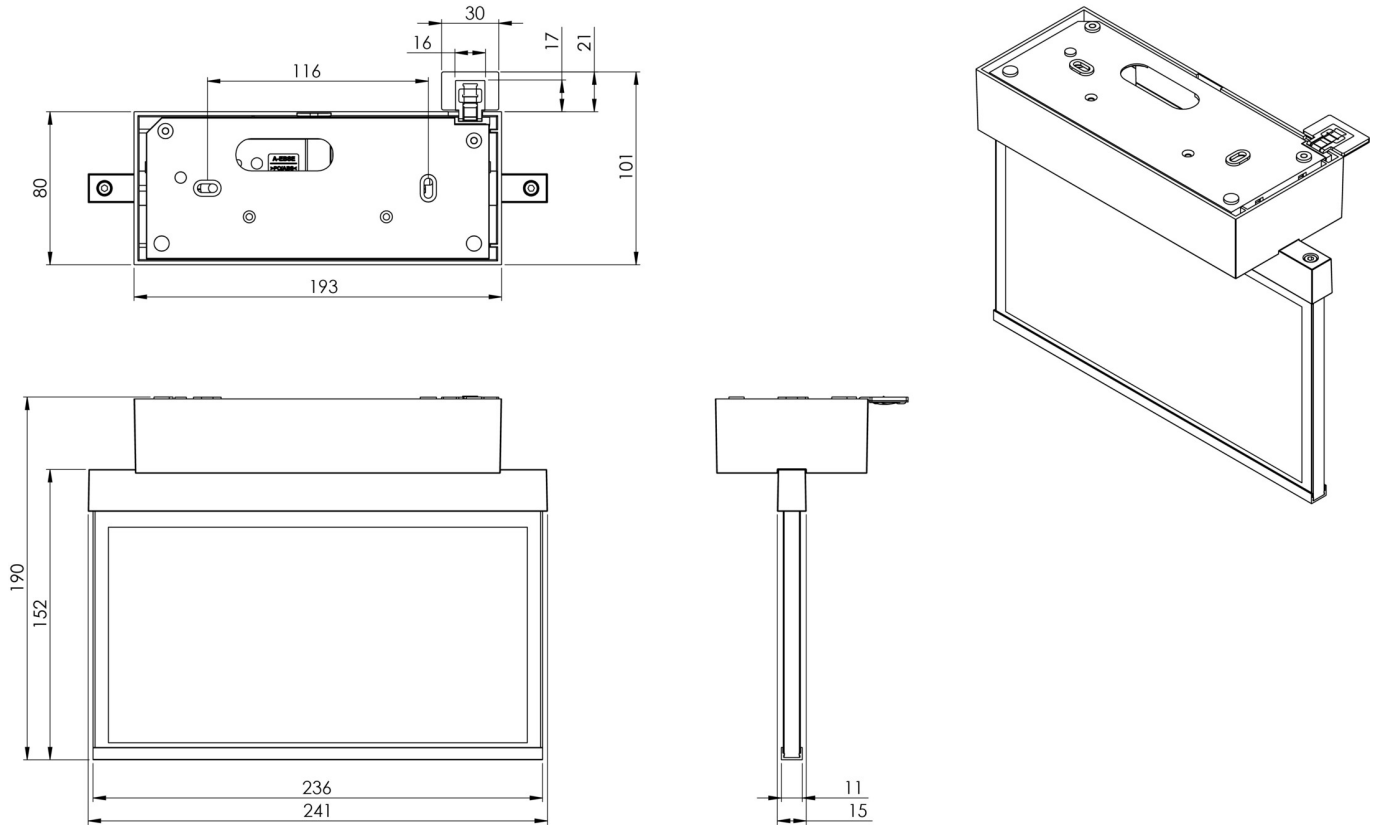
Luminaire type	Exit sign
Mounting	Surface mounting
Recognition distance	22 m
Pictograph	Set
Illuminant	LED
Housing material	Zinc die-cast
Housing color	White
Protection type (IP)	IP40
Impact resistance (IK)	≥ 3
Certification	WEEE, CE
Insulation class	2
Supply	Centralised power supply systems
Monitoring	Without monitoring
Bridging time	CPS
Battery	/
Operating mode	Permanent circuit
Input voltageAC	230 V



Input frequency	50 / 60 Hz
Input voltage DC	100-254 V
Power max.	4,5 W
Power maintained	4,5 W
Power non-maintained	0 W
Ambient temperature maintained mode	-25 °C to 40 °C
Ambient temperature non-maintained mode	-25 °C to 40 °C
Depth	80 mm
Width	236 mm
Height	186 mm
Weight	1.08
Weight incl. packaging	1.44
Connection cross-section	1.5 mm <sup>2</sup>
Switching input	No
Emergency light blocking	No
Battery connection	No
Dimming function	No
Customs tariff number	94056180
EAN	4260581714093



## TECHNICAL DRAWING



## ACCESSORY LIST

AM-X-APA - Surface-mounted adapter AM/AX

As of: 14.05.2025 - Subject to technical changes and errors.