



**Art.-Nr: ASMU003SC-WS**  
**Exit sign Self-contained**  
**Universal, SelfControl (SC), 3 h, 22 m, IP40, Aluminium, White**

Multi-functional aluminium emergency exit sign luminaire for universal mounting. As a result of the clever structure, the recesses for cable entry and fastening are integrated, both for ceiling and wall mounting. Visually appealing side parts cover the lock mechanism so that the luminaire conveys a harmonious and fully closed impression.

Automatic monitoring of safety luminaire with SelfControl. Planning certainty is provided by tool-free, variable use of the pictograms on site. A set of pictograms corresponding to DIN ISO 7010 (arrow to the right, left, up and down) is supplied as standard.



More information

[www.rp-group.com/en/item/ASMU003SC-WS](http://www.rp-group.com/en/item/ASMU003SC-WS)



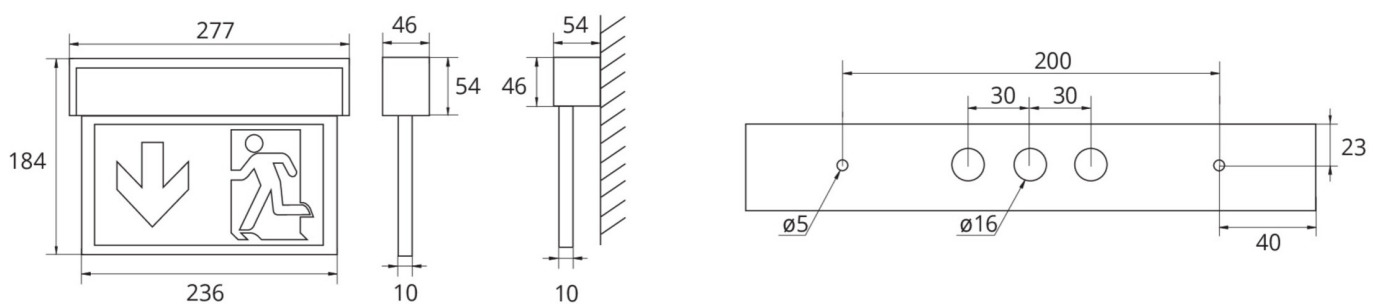
## TECHNICAL DATA

Luminaire type	Exit sign
Mounting	Universal
Recognition distance	22 m
Pictograph	Set
Illuminant	LED
Housing material	Aluminium
Housing color	White
Protection type (IP)	IP40
Impact resistance (IK)	3
Certification	WEEE, CE
Insulation class	1
Supply	Self-contained
Monitoring	SelfControl (SC)
Bridging time	3 h
Battery	NIMH 4,8 V/0,5 Ah
Operating mode	Non-maintained / maintained
Input voltageAC	230 V
Input frequency	50 Hz



Input voltage DC	- V
Power max.	3,1 W
Power maintained	3,1 W
Power non-maintained	1,4 W
Ambient temperature maintained mode	-5 °C to 40 °C
Ambient temperature non-maintained mode	-5 °C to 40 °C
Depth	54 mm
Width	277 mm
Height	184 mm
Weight	0.9
Weight incl. packaging	1.07
Connection cross-section	2.5 mm <sup>2</sup>
Switching input	Yes
Emergency light blocking	No
Battery connection	Connector
Dimming function	No
Customs tariff number	94056180
EAN	4260581711832

## TECHNICAL DRAWING






## ACCESSORY LIST

DSA - Wire suspension

2PS-EB - Pendant



## RELATED PRODUCTS

Art.-No.	Image	Monitoring	Supply	Color	Investment	Automatic log	Maintenance level	Remote maintenance	max. luminaires	Single luminaire monitoring
ASMU003		Without monitoring		Alu eloxiert						
ASMU003SC		SelfControl (SC)	Single battery	Alu eloxiert	€	no	high	no	unlimited	itself
ASMU003-WS		Without monitoring		RAL 9003						

As of: 14.05.2025 - Subject to technical changes and errors.