



**Art.-Nr: ASMU003SC**  
**Exit sign Self-contained**  
**Universal, SelfControl (SC), 3 h, 22 m, IP40, Aluminium,**  
**Anodised aluminium**

Multi-functional aluminium emergency exit sign luminaire for universal mounting. As a result of the clever structure, the recesses for cable entry and fastening are integrated, both for ceiling and wall mounting. Visually appealing side parts cover the lock mechanism so that the luminaire conveys a harmonious and fully closed impression.

Automatic monitoring of safety luminaire with SelfControl. Planning certainty is provided by tool-free, variable use of the pictograms on site. A set of pictograms corresponding to DIN ISO 7010 (arrow to the right, left, up and down) is supplied as standard.



More information

[www.rp-group.com/en/item/ASMU003SC](http://www.rp-group.com/en/item/ASMU003SC)



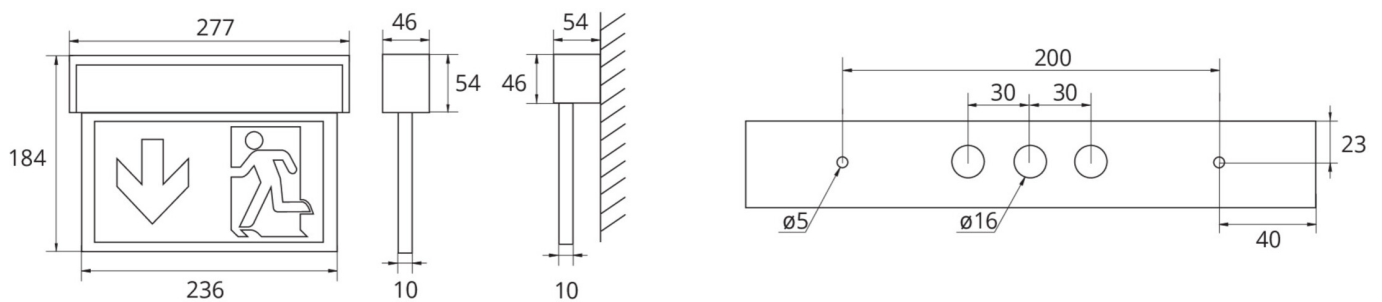
## TECHNICAL DATA

|                        |                             |
|------------------------|-----------------------------|
| Luminaire type         | Exit sign                   |
| Mounting               | Universal                   |
| Recognition distance   | 22 m                        |
| Pictograph             | Set                         |
| Illuminant             | LED                         |
| Housing material       | Aluminium                   |
| Housing color          | Anodised aluminium          |
| Protection type (IP)   | IP40                        |
| Impact resistance (IK) | 3                           |
| Certification          | WEEE, CE                    |
| Insulation class       | 1                           |
| Supply                 | Self-contained              |
| Monitoring             | SelfControl (SC)            |
| Bridging time          | 3 h                         |
| Battery                | NIMH 4,8 V/0,5 Ah           |
| Operating mode         | Non-maintained / maintained |
| Input voltageAC        | 230 V                       |



|   |                     |
|---|---------------------|
| Input frequency                         | 50 Hz               |
| Input voltage DC                        | - V                 |
| Power max.                              | 3,1 W               |
| Power maintained                        | 3,1 W               |
| Power non-maintained                    | 1,4 W               |
| Ambient temperature maintained mode     | -5 °C to 40 °C      |
| Ambient temperature non-maintained mode | -5 °C to 40 °C      |
| Depth                                   | 54 mm               |
| Width                                   | 277 mm              |
| Height                                  | 184 mm              |
| Weight                                  | 0.9                 |
| Weight incl. packaging                  | 1.07                |
| Connection cross-section                | 2.5 mm <sup>2</sup> |
| Switching input                         | Yes                 |
| Emergency light blocking                | No                  |
| Battery connection                      | Connector           |
| Dimming function                        | No                  |
| Customs tariff number                   | 94056180            |
| EAN                                     | 4260349828253       |

## TECHNICAL DRAWING



## ACCESSORY LIST

- DSA - Wire suspension
- 2PS-EB - Pendant



## RELATED PRODUCTS

| Art.-No.     | Image | Monitoring         | Supply         | Color        | Investment | Automatic log | Maintenance level | Remote maintenance | max. luminaires | Single luminaire monitoring |
|--------------|-------|--------------------|----------------|--------------|------------|---------------|-------------------|--------------------|-----------------|-----------------------------|
| ASMU003      |       | Without monitoring |                | Alu eloxiert |            |               |                   |                    |                 |                             |
| ASMU003-WS   |       | Without monitoring |                | RAL 9003     |            |               |                   |                    |                 |                             |
| ASMU003SC-WS |       | SelfControl (SC)   | Single battery | RAL 9003     | €          | no            | high              | no                 | unlimited       | itself                      |

As of: 14.05.2025 - Subject to technical changes and errors.