

## Exit Sign c-recess, SB + SC/3h, pictoset

The AXC is a zinc-diecast exit sign for recessed wall mounting and for the marking of escape routes. It is part of a complete luminaire series, which features solutions for every mounting situation and was honored with the German Design Award. Luminaires of the A-Series are equipped with modern LED illuminants and offer flexibility with changeable pictograms.

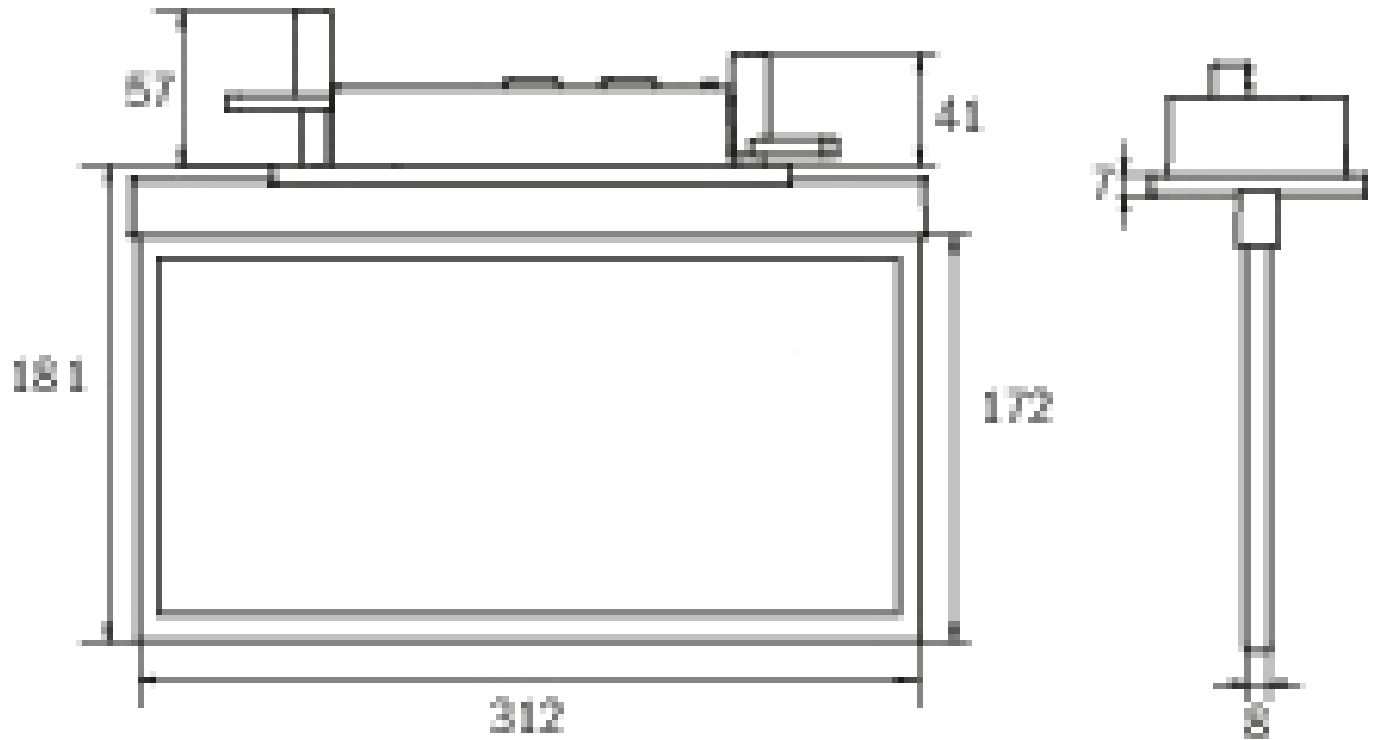
LED exit sign according to EN 60598-1, EN 60598-2-22, EN 7010 and EN 1838



### Technical data

Luminaire type	Exit sign	Ambient temperature non-maintained mode	-5 °C / 40 °C
Mounting	Recessed ceiling	Length	80 mm
Viewing distance	30 m	Width	312 mm
Pictograph	Set	Height	181 mm
Illuminant	LED	Diameter	
Housing material	Zinc die-cast	Install. dim. length	176 mm
Colour	RAL 7016	Install. dim. width	68 mm
Mechanical rating IP	20	Install. dim. height	40 mm
Impact resistance IK		Install. dim. diameter	
Protection class	2	Weight	1.68 kg
Supply	Self-Contained	Weight incl. Packaging	2.17 kg
Monitoring	Self-Control	Connection cross-section	2.5 mm
Operation time	3 h	Switching input L'	Yes
Battery	4,8V/2,0Ah NiMH	Emergency light blocking	Yes
Operation mode	maintained/non-maintained mode	Battery connector	Plug
Input Voltage AC	230 V	Dimming function	Yes
Input Frequency Hz	50 / 60 Hz	Luminous flux mains mode	
Input Voltage DC	- V	Luminous flux emergency mode	
Power consumption max.	5,7 W		
Power consumption maintained	5,7 W		
Power consumption non-maintained	1,95 W	Customs tariff number	94056080
Ambient temperature maintained mode	-5 °C / 40 °C	Country of origin	Deutschland
		EAN	

**Technical drawing**



State of: 06 / 2019