



**Art.-Nr: AXWA009-E**  
**Exit sign Centralised power supply systems**  
**Wall construction flag, Without monitoring, CPS, 30 m, IP40,**  
**Zinc die-cast, Stainless steel**

Modern zinc die-cast emergency exit sign luminaire for surface mounting on the wall. Thanks to the wall bracket, the escape and emergency routes are identified at right angles to the wall. This can be done on either one or two sides.

It is part of the A series luminaire family, which provides solutions for any mounting and has won the German Design Award for its uniform, straight-line design.

Planning certainty is provided by tool-free, variable use of the pictograms on site. A set of pictograms corresponding to DIN ISO 7010 (arrow to the right, left, up and down) is supplied as standard.



More information

[www.rp-group.com/en/item/AXWA009-E](http://www.rp-group.com/en/item/AXWA009-E)



## TECHNICAL DATA

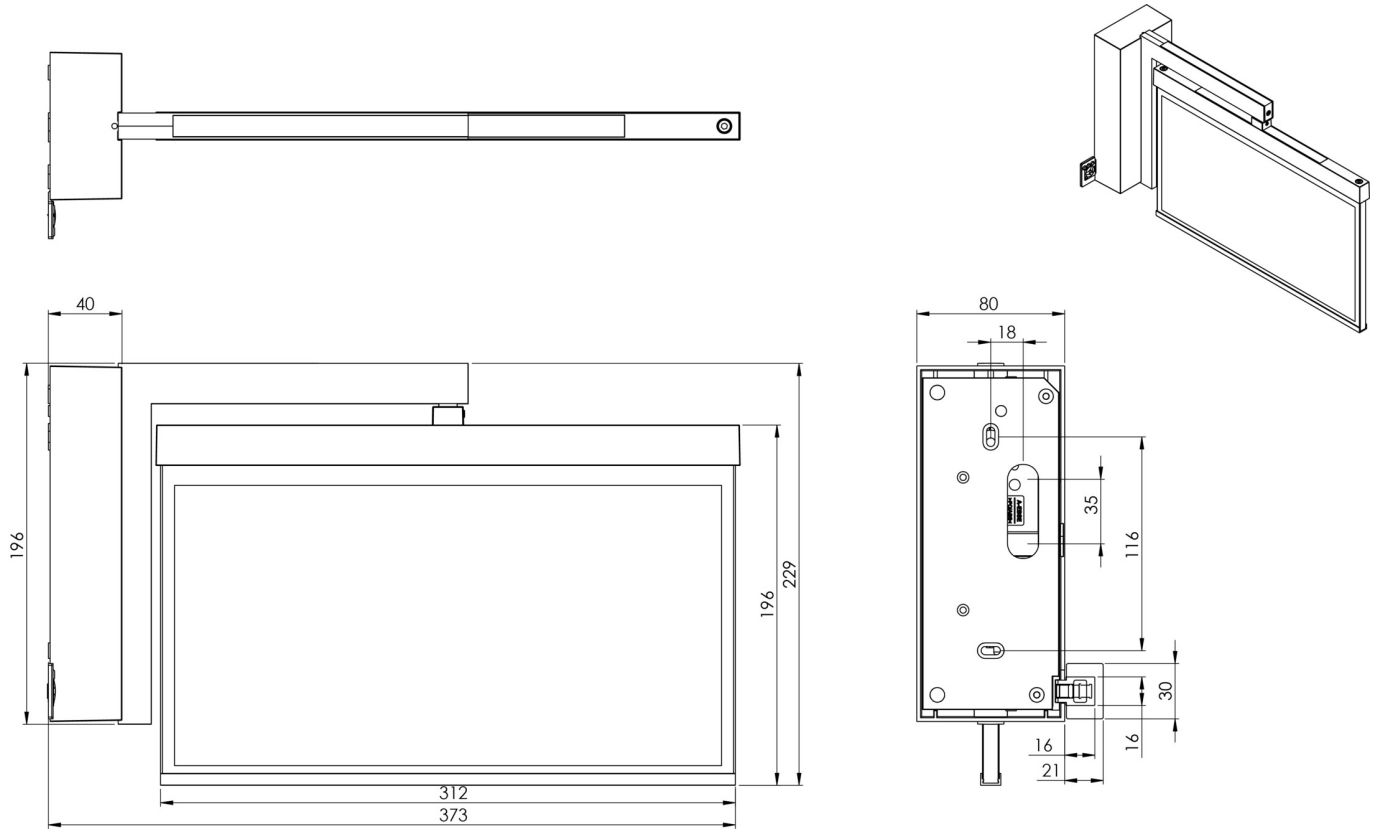
Luminaire type	Exit sign
Mounting	Wall construction flag
Recognition distance	30 m
Pictograph	Set
Illuminant	LED
Housing material	Zinc die-cast
Housing color	Stainless steel
Protection type (IP)	IP40
Impact resistance (IK)	≥ 3
Certification	WEEE, CE
Insulation class	2
Supply	Centralised power supply systems
Monitoring	Without monitoring
Bridging time	CPS
Battery	/
Operating mode	Permanent circuit
Input voltageAC	230 V



Input frequency	50 / 60 Hz
Input voltage DC	100-254 V
Power max.	3,3 W
Power maintained	3,3 W
Power non-maintained	0 W
Ambient temperature maintained mode	-25 °C to 40 °C
Ambient temperature non-maintained mode	-25 °C to 40 °C
Depth	80 mm
Width	372 mm
Height	229 mm
Weight	1.7
Weight incl. packaging	2.19
Connection cross-section	1.5 mm <sup>2</sup>
Switching input	No
Emergency light blocking	No
Battery connection	No
Dimming function	No
Customs tariff number	94056180
EAN	4260581716301



## TECHNICAL DRAWING



## ACCESSORY LIST

AM-X-APA - Surface-mounted adapter AM/AX

As of: 14.05.2025 - Subject to technical changes and errors.