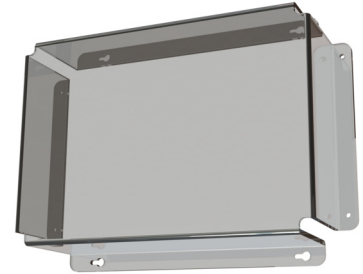




## Art.-No.: BALLPLX-KD

The transparent ball protection hood made of Plexiglas (PMMA) is suitable for use in sports halls. It is ball-proof according to DIN 18032 and IK10 provides a high level of protection against impact and impact stress. In addition to protection, it enables a direct, undisturbed view to the luminaire.

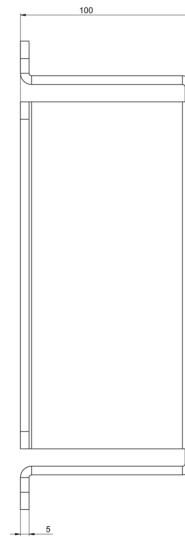
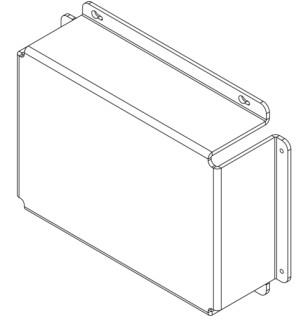
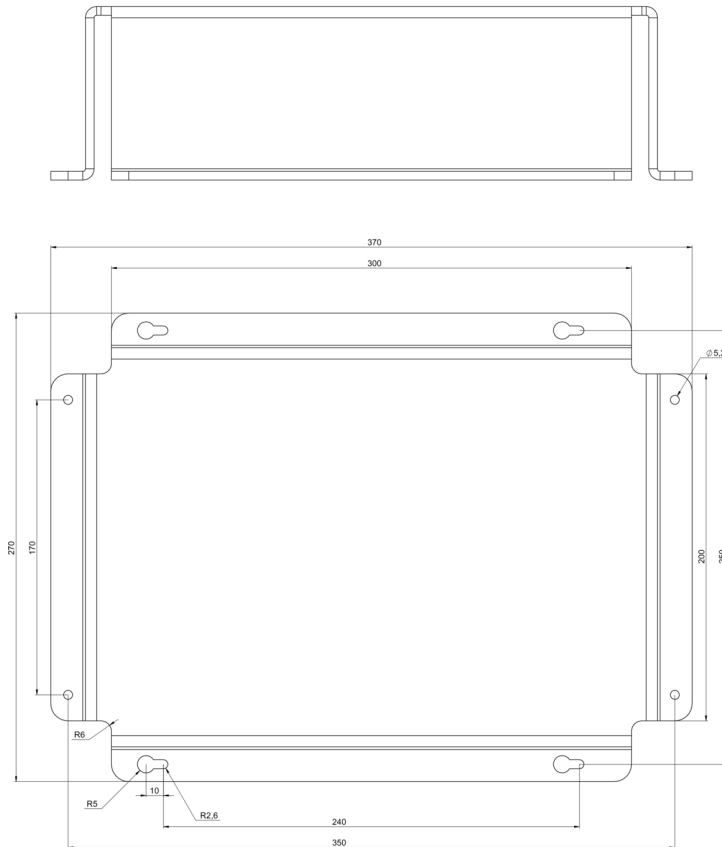


### TECHNICAL DATA

Length	100 mm
Width	280 mm
Height	380 mm
Weight	0.87
Weight incl. Packaging	0.87 kg
Customs tariff number	39269097
Country of origin	Germany
EAN	4260349829489



## TECHNICAL DRAWING



RF-Technik RF-Technik 22710-Fluoreszenz	Abbildung	CT-3	Zeichnungsname
	01-15-16	01-15-16	Reaktor
	Datum	11.05.20	Gezeichnet von
	Zeichner		1101.96
	Prüfer		Bezeichnung
			<b>BaU_KD</b>
			Abgezeichnet von
			Datum
			Reaktor
			01