

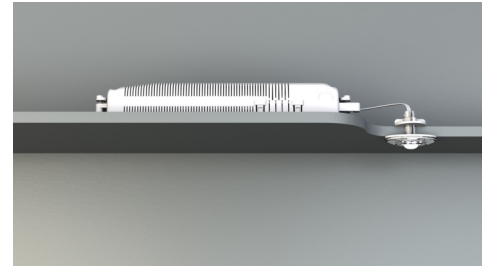


Art.-Nr: DOE023SC
Safety luminaire Single Battery
Ceiling mounting, SelfControl (SC), 3 h, , IP20, Plastic,
Transparent

Small LED safety luminaire, for recessed and surface mounting, with great effect. The small dimensions and transparent housing material make completely unobtrusive mounting possible.

This variant is intended for installation in ceilings. The mounting plate/clips, as well as the emergency light technology in a housing with strain relief, are supplied.

Automatic monitoring of safety luminaire with SelfControl.



More information

www.rp-group.com/en/item/DOE023SC



TECHNICAL DATA

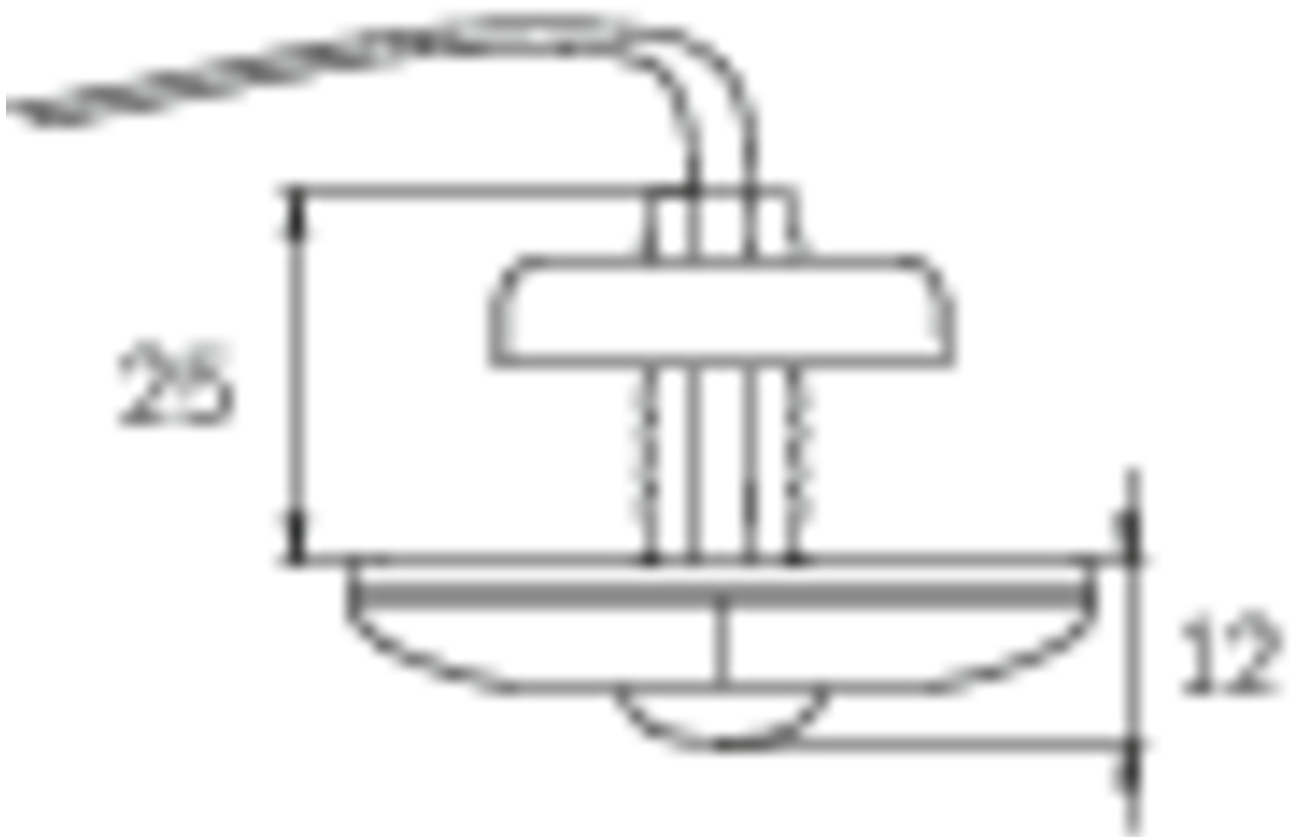
Luminaire type	Safety luminaire
Mounting	Ceiling mounting
Pictograph	No
Illuminant	LED
Housing material	Plastic
Housing color	Transparent
Protection type (IP)	IP20
Impact resistance (IK)	≥ 3
Certification	WEEE, CE
Insulation class	2
Supply	Single Battery
Monitoring	SelfControl (SC)
Bridging time	3 h
Battery	NIMH 4,8 V/2,0 Ah
Operating mode	Standby circuit / permanent circuit
Input voltageAC	230 V
Input frequency	50 / 60 Hz
Power max.	3 W
Power DS	1,6 W



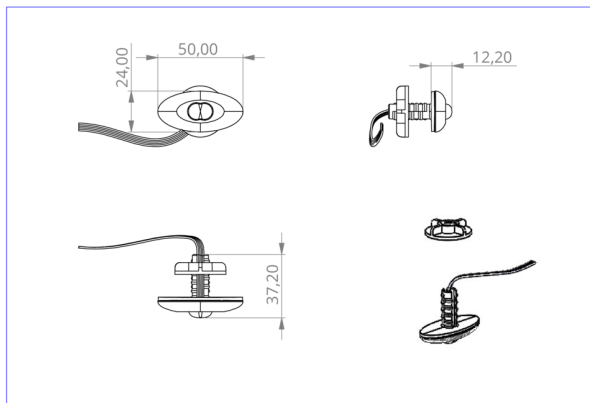
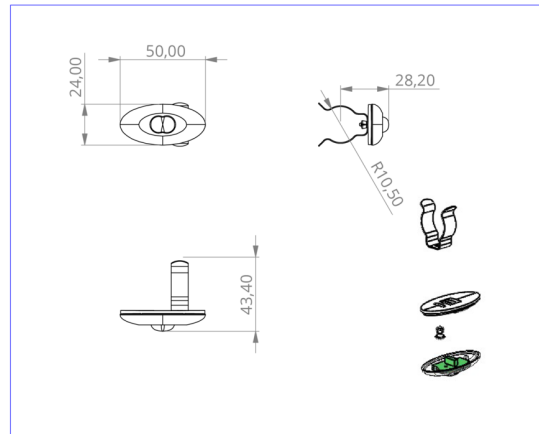
Power BS	0,35 W
Ambient temperature DS	-5 °C to 40 °C
Ambient temperature BS	-5 °C to 40 °C
Depth	24 mm
Width	50 mm
Height	12 mm
Installation dimensions Diameter	10.5 mm
Weight	0.34
Weight incl. packaging	0.42
Connection cross-section	2.5 mm ²
Switching input	Yes
Emergency light blocking	Yes
Battery connection	Connector
Dimming function	Yes
Luminous flux mains	140 lm
Luminous flux emergency	140 lm
Customs tariff number	94056120
EAN	4260349824446



TECHNICAL DRAWING






e 10.5



DO verschiedene Einbaumaße

RELATED PRODUCTS

Art.-No.	Image	Monitoring	Supply	Color	Investment	Automatic log	Maintenance level	Remote maintenance	max. luminaires	Single luminaire monitoring
DOE023		Without monitoring		Transparent						
DOE023BC		Bus control		Transparent						
DOE023WL		Wireless Professional (WL)	Single battery	Transparent	€€	yes	low	yes	1,000 per system	central

As of: 22.01.2025 - Subject to technical changes and errors.