

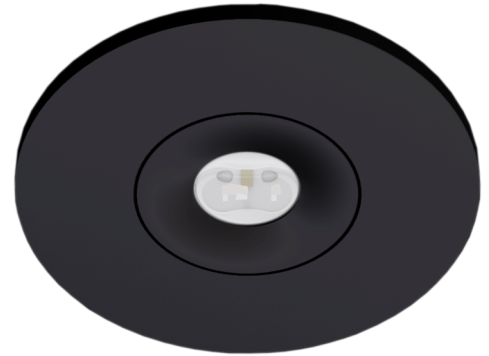


Art.-Nr: EERF028SC-AZ
Emergency light Self-contained
Ceiling mounting, SelfControl (SC), 8 h, , IP20, Zinc die-cast,
Anthracite

High-grade zinc-aluminium safety luminaire for fitting in the ceiling.

The compact design permits mounting in a 68mm opening in the ceiling. Alongside the usual recessed ceiling mounting, it can also be mounted in conventional and fire protection sockets. It is secured with ease using tension springs or a screw connection on the box.

Automatic monitoring of safety luminaire with SelfControl. The innovative integrated lens holder with a rapid fitting fixture permits the flexible use of various lens types. Using the right lens allows the distribution of light to be matched perfectly to the application and simplifies illumination which satisfies all relevant standards. A round lens and hall lens are supplied with every luminaire, allowing it to be adapted perfectly to the respective mounting situation. Other lenses, such as a spotlight lens, beam lens or H lens, are available as options.



More information

www.rp-group.com/en/item/EERF028SC-AZ



TECHNICAL DATA

| | |
|------------------------|-----------------------------|
| Luminaire type | Emergency light |
| Mounting | Ceiling mounting |
| Pictograph | No |
| Illuminant | LED |
| Housing material | Zinc die-cast |
| Housing color | Anthracite |
| Protection type (IP) | IP20 |
| Impact resistance (IK) | ≥ 3 |
| Certification | WEEE, CE |
| Insulation class | 2 |
| Supply | Self-contained |
| Monitoring | SelfControl (SC) |
| Bridging time | 8 h |
| Battery | NIMH 4,8 V/2,0 Ah |
| Operating mode | Non-maintained / maintained |

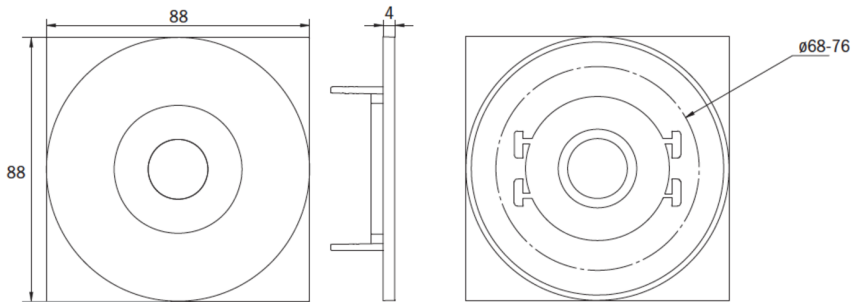


| | |
|---|---------------------|
| Input voltageAC | 230 V |
| Input frequency | 50 / 60 Hz |
| Power max. | 3 W |
| Power maintained | 1,6 W |
| Power non-maintained | 0,35 W |
| Ambient temperature maintained mode | -5 °C to 40 °C |
| Ambient temperature non-maintained mode | -5 °C to 40 °C |
| Height | 4 mm |
| Diameter | 88 mm |
| Installation dimensions Diameter | 68 mm |
| Weight | 0.41 |
| Weight incl. packaging | 0.54 |
| Connection cross-section | 2.5 mm ² |
| Switching input | Yes |
| Emergency light blocking | Yes |
| Battery connection | Connector |
| Dimming function | Yes |
| Luminous flux mains | 140 lm |
| Luminous flux emergency | 120 lm |
| Customs tariff number | 94056180 |
| EAN | 4260581717964 |

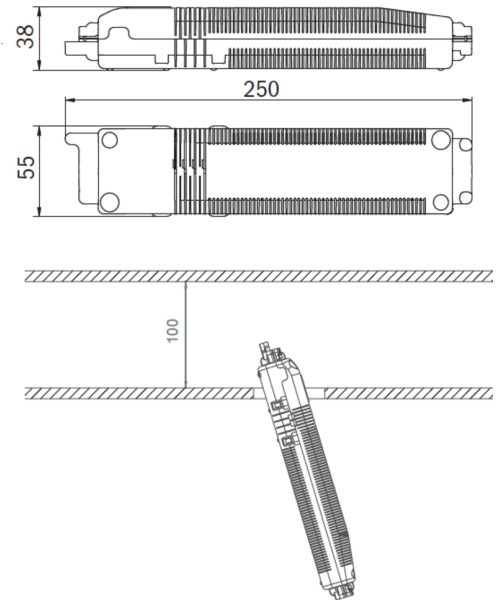


TECHNICAL DRAWING

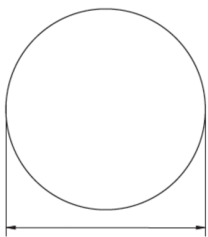
Maße EER / EEQ



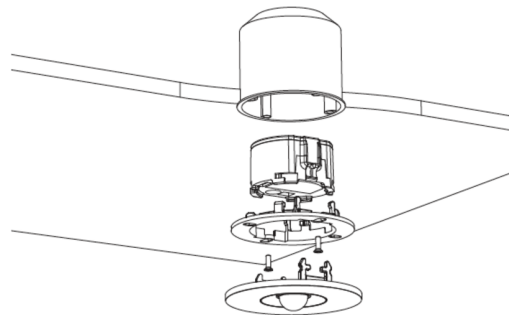
Einzelbatterie-Elektronik-Box (UH-1)



Lochausschnitt EER / EEQ



EEx023: 74mm
EEx029: 68mm



EEx029: Schalterdose notwendig (nicht im Lieferumfang enthalten)