



Art.-Nr: EERL033SC-E
Emergency light Self-contained
Ceiling mounting, SelfControl (SC), 3 h, , IP20, Zinc die-cast,
Stainless steel

High-grade zinc-aluminium safety luminaire for fitting in the ceiling.

The compact design permits mounting in a 68mm opening in the ceiling. Alongside the usual recessed ceiling mounting, it can also be mounted in conventional and fire protection sockets. It is secured with ease using tension springs or a screw connection on the box.

Automatic monitoring of safety luminaire with SelfControl. The innovative integrated lens holder with a rapid fitting fixture permits the flexible use of various lens types. Using the right lens allows the distribution of light to be matched perfectly to the application and simplifies illumination which satisfies all relevant standards. A round lens and hall lens are supplied with every luminaire, allowing it to be adapted perfectly to the respective mounting situation. Other lenses, such as a spotlight lens, beam lens or H lens, are available as options.



More information

www.rp-group.com/en/item/EERL033SC-E



TECHNICAL DATA

Luminaire type	Emergency light
Mounting	Ceiling mounting
Pictograph	No
Illuminant	LED
Housing material	Zinc die-cast
Housing color	Stainless steel
Protection type (IP)	IP20
Impact resistance (IK)	≥ 3
Certification	WEEE, CE
Insulation class	2
Supply	Self-contained
Monitoring	SelfControl (SC)
Bridging time	3 h
Battery	NIMH 4,8 V/2,0 Ah
Operating mode	Non-maintained / maintained

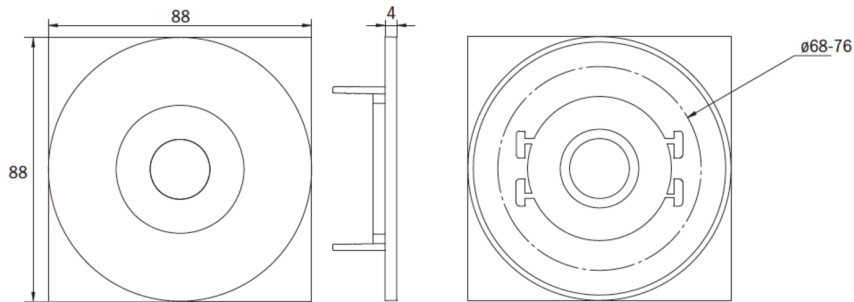


Input voltage AC	230 V
Input frequency	50 / 60 Hz
Power max.	5,9 W
Power maintained	4,4 W
Power non-maintained	0,35 W
Ambient temperature maintained mode	-5 °C to 40 °C
Ambient temperature non-maintained mode	-5 °C to 40 °C
Height	4 mm
Diameter	88 mm
Installation dimensions Diameter	68 mm
Weight	0.4
Weight incl. packaging	0.53
Connection cross-section	2.5 mm ²
Switching input	Yes
Emergency light blocking	Yes
Battery connection	Connector
Dimming function	Yes
Luminous flux mains	340 lm
Luminous flux emergency	235 lm
Customs tariff number	94056180
GTIN	4260682150776

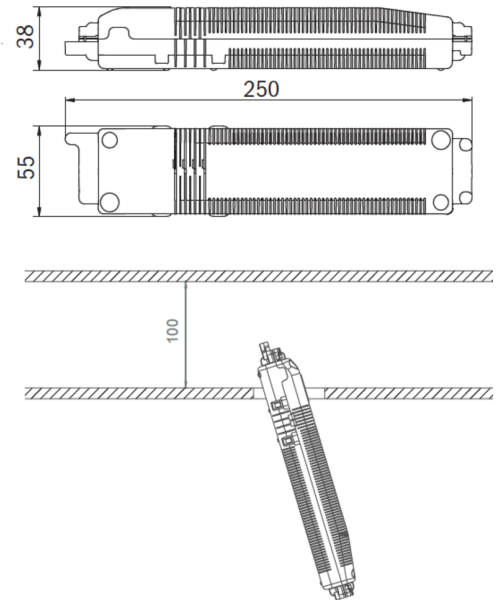


TECHNICAL DRAWING

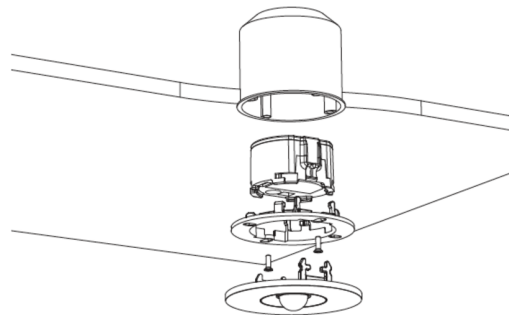
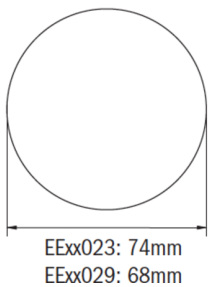
Maße EER / EEQ



Einzelbatterie-Elektronik-Box (UH-1)



Lochausschnitt EER / EEQ



EEx029: Schalterdose notwendig (nicht im Lieferumfang enthalten)

ACCESSORY LIST

NIMHHT4820Q - Battery

RELATED PRODUCTS

Art.-No.	Image	Monitoring	Supply	Color	Investment	Automatic log	Maintenance level	Remote maintenance	max. luminaires	Single luminaire monitoring
EERL033SC		SelfControl (SC)	Single battery	RAL 9003	€	no	high	no	unlimited	itself
EERL033SC-AZ		SelfControl (SC)	Single battery	RAL 7016	€	no	high	no	unlimited	itself

As of: 19.09.2025 - Subject to technical changes and errors.