



## Emergency luminaire Art.-No.: EERL038SC

LED safety light for illuminating escape and rescue routes according to DIN EN 60598-1, DIN EN 60598-222 and DIN EN 1838.

The recessed ceiling light made of zinc-aluminum adapts unobtrusively to the ceiling. In addition to conventional ceiling installation, it can also be installed in conventional and fire protection boxes. The status LED integrated into the lens does not interrupt the harmony of the housing. The use of diffuser lenses and powerful LED ERT technology achieves optimal light distribution and illumination of the escape and rescue routes. The innovative integrated lens carrier with quick-mounting device enables the flexible use of different lens types depending on the application. Round and corridor lenses are already included in the scope of delivery for each light.



### TECHNICAL DATA

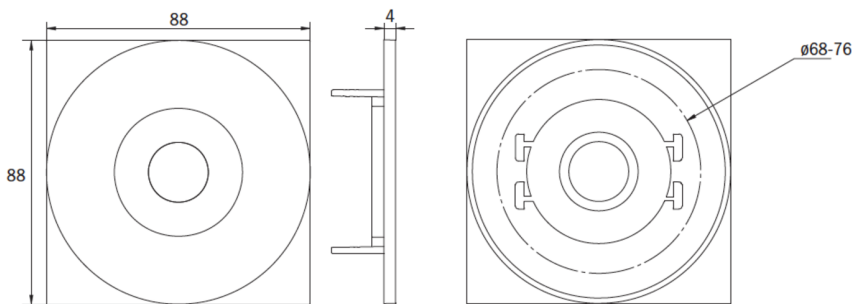
Luminaire type	Emergency luminaire
Mounting	Recessed ceiling
Pictograph	No
Illuminant	LED
Housing material	Zinc die-cast
Colour	RAL 9003
Mechanical rating IP	20
Impact resistance IK	≥ 3
Protection class	2
Supply	Single battery
Monitoring	Self-Control
Operation time	8 h
Battery	9,6V/2.0Ah NiMH
Operation mode	maintained/non-maintained mode
Input Voltage AC	230 V
Input Frequency Hz	50 / 60 Hz
Power consumption max.	7 W
Power consumption maintained	4,7 W
Power consumption non-maintained	0,35 W
Ambient temperature maintained mode	-5 °C / 40 °C
Ambient temperature non-maintained mode	-5 °C / 40 °C



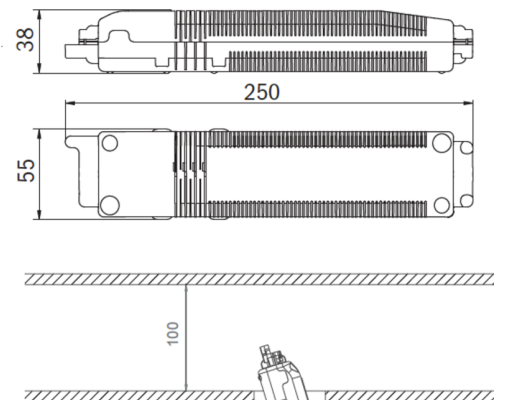
Height	4 mm
Diameter	88 mm
Install. dim. diameter	68 mm
Weight	0.52 kg
Weight incl. Packaging	0.65 kg
Connection cross-section	2.5 mm
Switching input L'	Yes
Emergency light blocking	Yes
Battery connector	Plug
Dimming function	Yes
Luminous flux mains mode	340 lm
Luminous flux emergency mode	210 lm
Customs tariff number	94056180
Coutry of origin	Germany
EAN	4260682150813

## TECHNICAL DRAWING

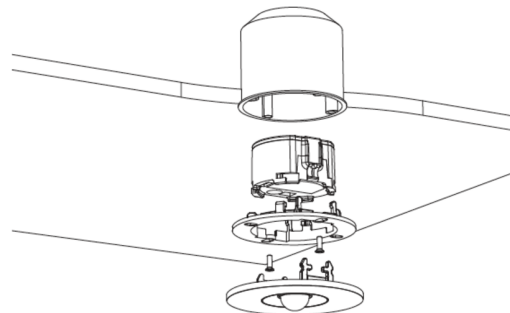
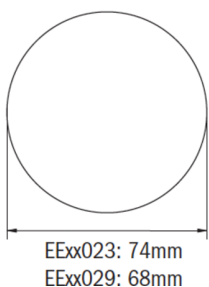
### Maße EER / EEQ



### Einzelbatterie-Elektronik-Box (UH-1)



### Lochsausschnitt EER / EEQ



EEx029: Schalterdose notwendig (nicht im Lieferumfang enthalten)



## ACCESSORIES

LSYS-B4 - 4x Beam lens for lights with a lens system, for

LSYS-F4 - 4x corridor lenses for luminaires with lens

LSYS-R4 - 4x round lenses for luminaires with lens

LSYS-S4 - 4x Spotlens for luminaires with lens system.