



Emergency luminaire Art.-No.: EERL529CC

LED emergency luminaire for ceiling mounting and for the lighting of escape and rescue routes according to DIN EN 60598-1, DIN EN 60598-2-22 and DIN EN 1838.

The zinc-aluminum downlight fits unobtrusively on the ceiling. Mounting is possible as normal recessed ceiling mounting as well as in conventional fire protection boxes. The status LED integrated within the lens does not interrupt the harmony of the housing. The optimal light distribution and lighting of escape and rescue routes is achieved by use of cluster lenses and powerful ERT LED technology.



TECHNICAL DATA

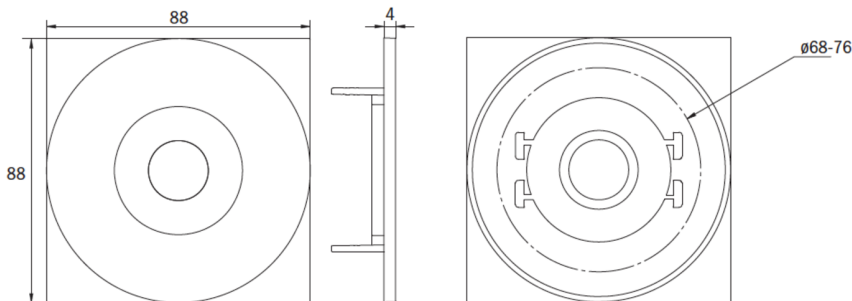
Luminaire type	Emergency luminaire
Mounting	Recessed ceiling
Pictograph	No
Illuminant	LED
Housing material	Zinc die-cast
Colour	RAL 9003
Mechanical rating IP	20
Impact resistance IK	≥ 3
Protection class	3
Supply	Central power supply system
Monitoring	CC - CoreCompact 24V
Operation time	CPS
Operation mode	maintained/non-maintained mode
Input Voltage AC	24 V
Power consumption max.	1,5 W
Power consumption maintained	1,5 W
Power consumption non-maintained	0,4 W
Ambient temperature maintained mode	-5 °C / 40 °C
Ambient temperature non-maintained mode	-5 °C / 40 °C
Height	4 mm
Diameter	88 mm
Install. dim. diameter	68 mm



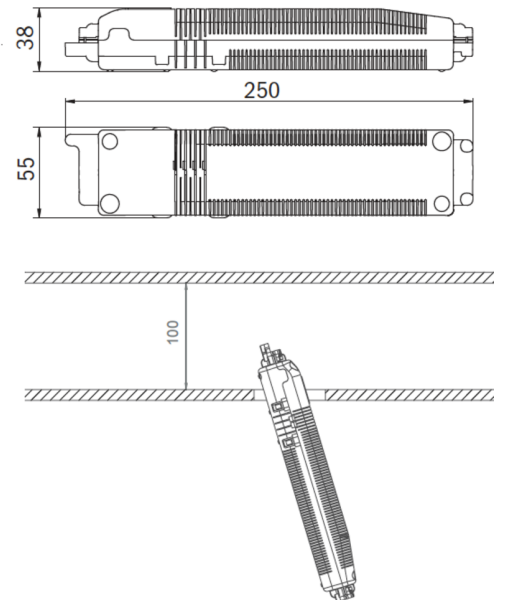
Weight	0.62 kg
Weight incl. Packaging	0.75 kg
Connection cross-section	2.5 mm
Switching input L'	No
Emergency light blocking	No
Battery connector	None
Dimming function	Yes
Luminous flux mains mode	140 lm
Luminous flux emergency mode	140 lm
Customs tariff number	94056180
Country of origin	Germany
EAN	4260682157089

TECHNICAL DRAWING

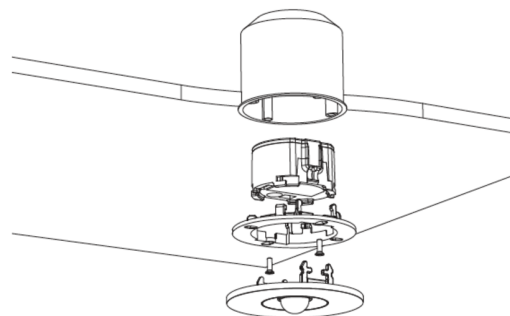
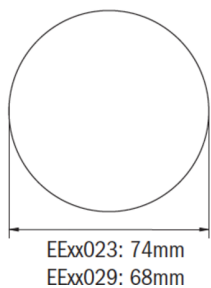
Maße EER / EEQ



Einzelbatterie-Elektronik-Box (UH-1)



Lochausschnitt EER / EEQ



EEx029: Schalterdose notwendig (nicht im Lieferumfang enthalten)