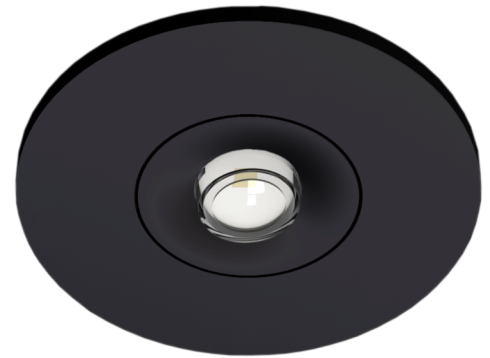




**Art.-Nr: EERS023WL-AZ**  
**Emergency light Self-contained**  
**Ceiling mounting, Wireless Professional (WL), 3 h, , IP20, Zinc die-cast, Anthracite**



High-grade zinc-aluminium safety luminaire for fitting in the ceiling.

The compact design permits mounting in a 68mm opening in the ceiling. Alongside the usual recessed ceiling mounting, it can also be mounted in conventional and fire protection sockets. It is secured with ease using tension springs or a screw connection on the box.

Wireless central control and monitoring for large installations of up to 50,000 luminaires with Wireless Professional. The innovative integrated lens holder with a rapid fitting fixture permits the flexible use of various lens types. Using the right lens allows the distribution of light to be matched perfectly to the application and simplifies illumination which satisfies all relevant standards. A round lens and hall lens are supplied with every luminaire, allowing it to be adapted perfectly to the respective mounting situation. Other lenses, such as a spotlight lens, beam lens or H lens, are available as options.



More information

[www.rp-group.com/en/item/EERS023WL-AZ](http://www.rp-group.com/en/item/EERS023WL-AZ)



## TECHNICAL DATA

Luminaire type	Emergency light
Mounting	Ceiling mounting
Pictograph	No
Illuminant	LED
Housing material	Zinc die-cast
Housing color	Anthracite
Protection type (IP)	IP20
Impact resistance (IK)	≥ 3
Certification	WEEE, CE
Insulation class	2
Supply	Self-contained
Monitoring	Wireless Professional (WL)
Bridging time	3 h
Battery	NIMH 4,8 V/2,0 Ah

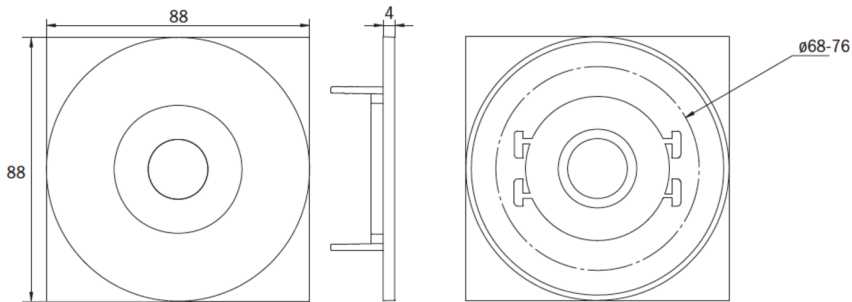


Operating mode	Non-maintained / maintained
Input voltage AC	230 V
Input frequency	50 / 60 Hz
Input voltage DC	- V
Power max.	5,6 W
Power maintained	5,2 W
Power non-maintained	3,8 W
Ambient temperature maintained mode	-5 °C to 40 °C
Ambient temperature non-maintained mode	-5 °C to 40 °C
Height	4 mm
Diameter	88 mm
Installation dimensions Diameter	68 mm
Weight	0.47
Weight incl. packaging	0.6
Connection cross-section	1.5 mm <sup>2</sup>
Switching input	Yes
Emergency light blocking	Yes
Battery connection	Clip
Dimming function	No
Luminous flux mains	140 lm
Luminous flux emergency	140 lm
Customs tariff number	94056180
EAN	4260349825047

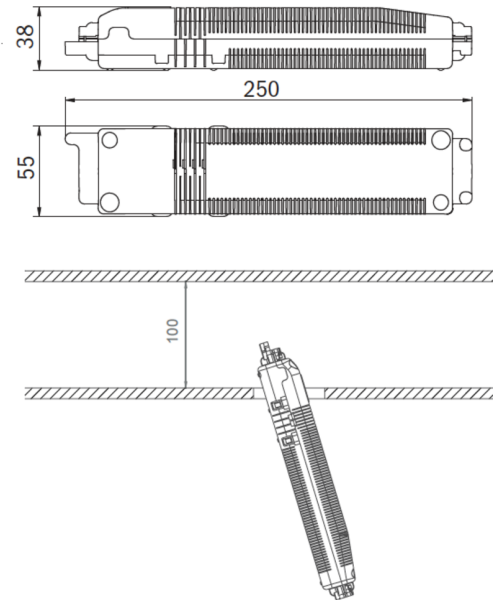


## TECHNICAL DRAWING

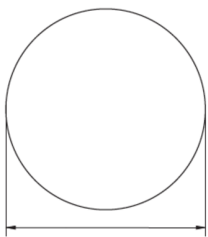
### Maße EER / EEQ



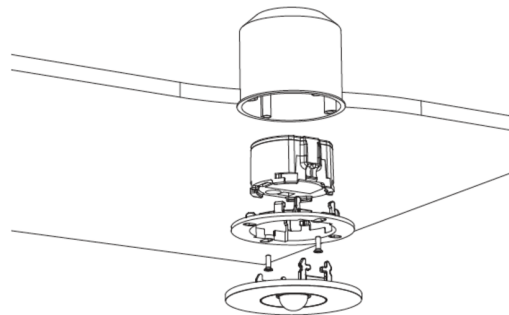
### Einzelbatterie-Elektronik-Box (UH-1)



### Lochausschnitt EER / EEQ



EEx023: 74mm  
EEx029: 68mm



EEx029: Schalterdose notwendig (nicht im Lieferumfang enthalten)