



Art.-Nr: FGL-OUT-WEISS-023
Emergency light Self-contained
Ceiling mounting, Without monitoring, 3 h, , IP65, Zinc die-cast, White

Closed zinc aluminium safety luminaire for fitting in the ceiling.

The high level of protection is achieved by the pane integrated into the front and the seal between the luminaire and ceiling. This permits use in damp rooms or highly contaminated environments, for example.



More information

www.rp-group.com/en/item/FGL-OUT-WEISS-023



TECHNICAL DATA

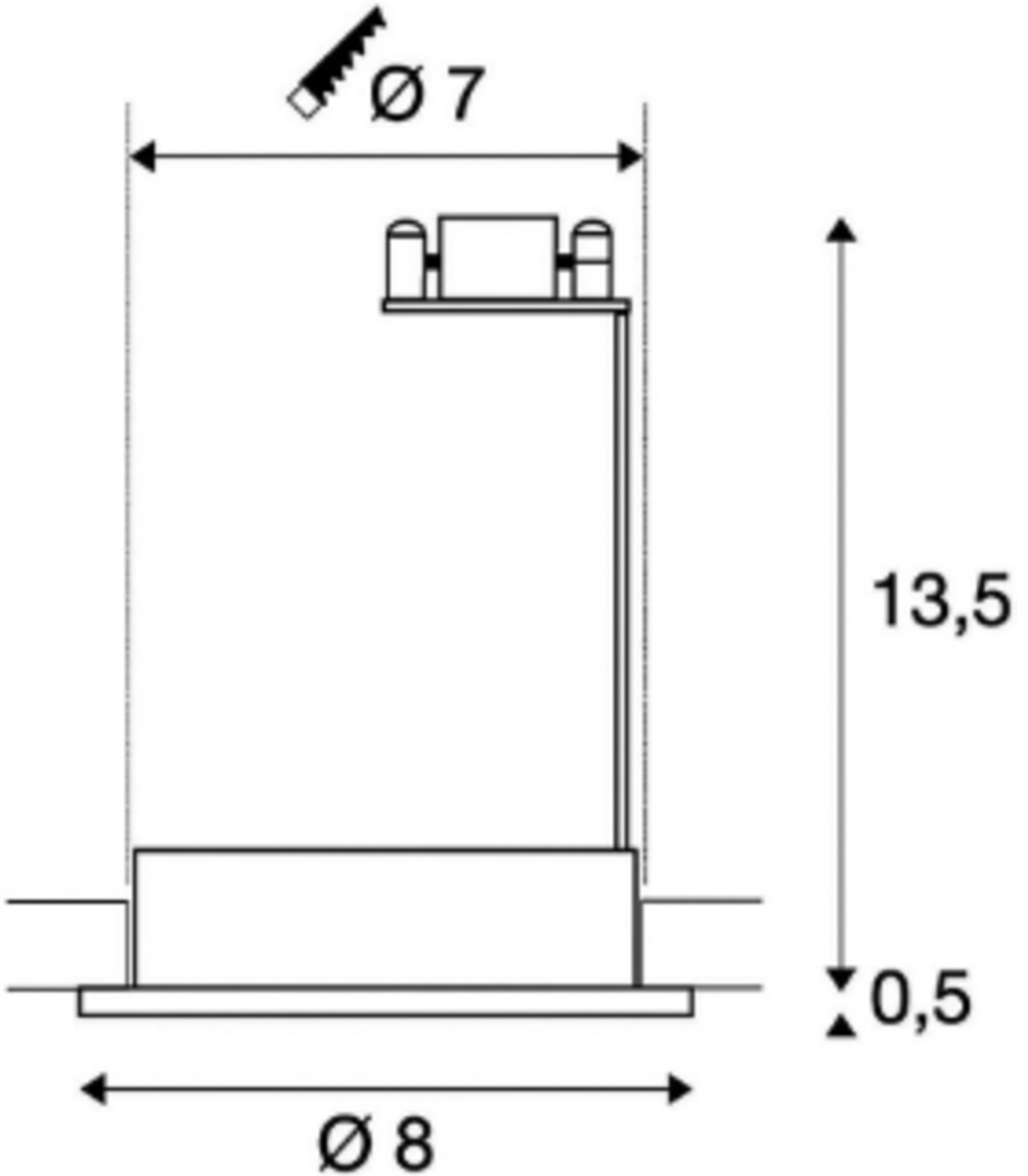
Luminaire type	Emergency light
Mounting	Ceiling mounting
Pictograph	No
Illuminant	LED
Housing material	Zinc die-cast
Housing color	White
Protection type (IP)	IP65
Impact resistance (IK)	≥ 3
Certification	WEEE, CE
Insulation class	2
Supply	Self-contained
Monitoring	Without monitoring
Bridging time	3 h
Battery	NIMH 4,8 V/2,0 Ah
Operating mode	Non-maintained / maintained
Input voltageAC	230 V
Input frequency	50 / 60 Hz
Power max.	5 W
Power maintained	3,5 W
Power non-maintained	0,35 W
Ambient temperature maintained mode	-5 °C to 40 °C



Ambient temperature non-maintained mode	-5 °C to 40 °C
Height	110 mm
Diameter	80 mm
Installation height	130 mm
Installation dimensions Diameter	70 mm
Weight	0.65
Weight incl. packaging	0.78
Connection cross-section	2.5 mm ²
Switching input	Yes
Emergency light blocking	Yes
Battery connection	Connector
Dimming function	Yes
Luminous flux mains	220 lm
Luminous flux emergency	220 lm
Customs tariff number	94056180
EAN	4260659561772





TECHNICAL DRAWING





RELATED PRODUCTS

Art.-No.	Image	Monitoring	Supply	Color	Investment	Automatic log	Maintenance level	Remote maintenance	max. luminaires	Single luminaire monitoring
FGL-OUT-CHROM-023		Without monitoring		RAL 9003						
FGL-OUT-WEISS-023SC		SelfControl (SC)	Single battery	RAL 9003	€	no	high	no	unlimited	itself

As of: 17.05.2025 - Subject to technical changes and errors.