



Art.-Nr: FMDS028SC-AZ
Emergency light Self-contained
Surface mounting, SelfControl (SC), 8 h, , IP65, Zinc die-cast,
Anthracite

Robust zinc die-cast safety luminaire for mounting on the ceiling and for illuminating escape and emergency routes.

Automatic monitoring of safety luminaire with SelfControl.



More information

www.rp-group.com/en/item/FMDS028SC-AZ



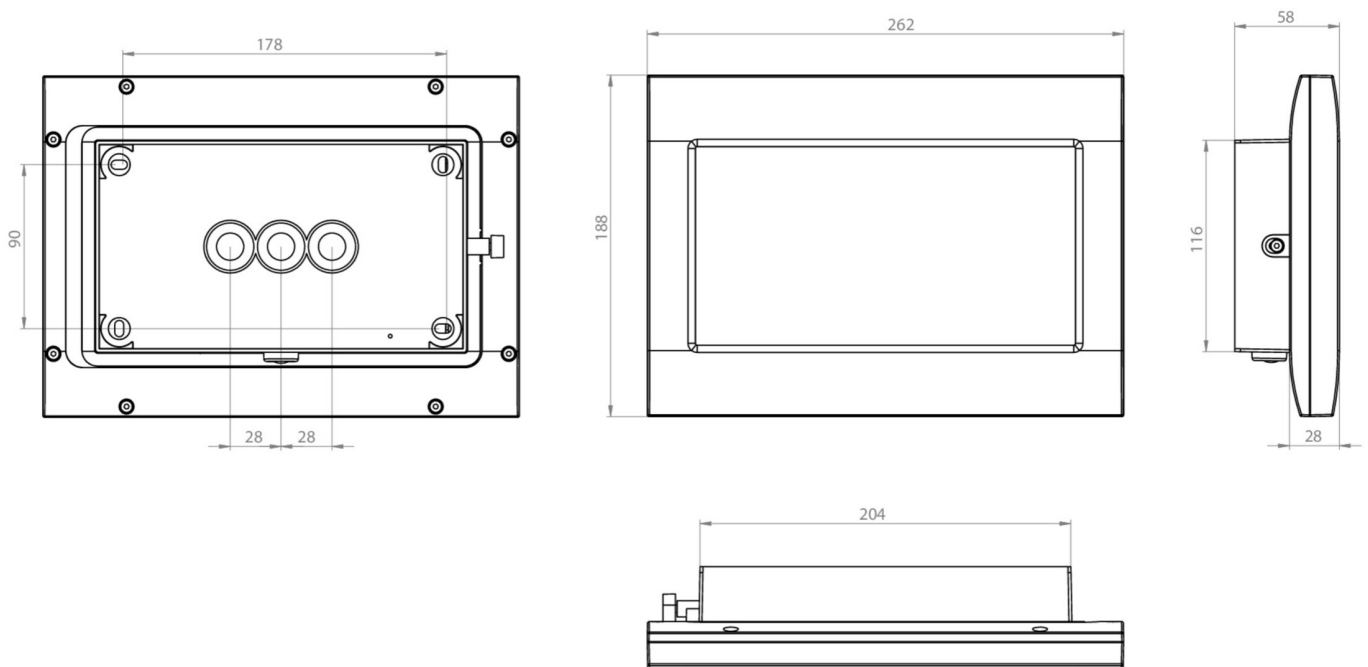
TECHNICAL DATA

| | |
|-------------------------------------|-----------------------------|
| Luminaire type | Emergency light |
| Mounting | Surface mounting |
| Pictograph | No |
| Illuminant | LED |
| Housing material | Zinc die-cast |
| Housing color | Anthracite |
| Protection type (IP) | IP65 |
| Impact resistance (IK) | 8 |
| Certification | WEEE, CE, D-Sign, HACCP |
| Insulation class | 1 |
| Supply | Self-contained |
| Monitoring | SelfControl (SC) |
| Bridging time | 8 h |
| Battery | NIMH 9,6 V/2,0 Ah |
| Operating mode | Non-maintained / maintained |
| Input voltageAC | 230 V |
| Input frequency | 50 / 60 Hz |
| Power max. | 7,1 W |
| Power maintained | 4,6 W |
| Power non-maintained | 0,35 W |
| Ambient temperature maintained mode | -5 °C to 40 °C |



| | |
|---|---------------------|
| Ambient temperature non-maintained mode | -5 °C to 40 °C |
| Depth | 58 mm |
| Width | 262 mm |
| Height | 188 mm |
| Weight | 2.23 |
| Weight incl. packaging | 2.33 |
| Connection cross-section | 2.5 mm ² |
| Switching input | Yes |
| Emergency light blocking | Yes |
| Battery connection | Connector |
| Dimming function | Yes |
| Luminous flux mains | 430 lm |
| Luminous flux emergency | 220 lm |
| Customs tariff number | 94056180 |
| EAN | 4260581717667 |

TECHNICAL DRAWING





ACCESSORY LIST

FMDA001-AZ -

FMDA002-AZ -

FMWA001 -

FMFH -

RELATED PRODUCTS

| Art.-No. | Image | Monitoring | Supply | Color | Investment | Automatic log | Maintenance level | Remote maintenance | max. luminaires | Single luminaire monitoring |
|-----------|-------|------------------|----------------|----------|------------|---------------|-------------------|--------------------|-----------------|-----------------------------|
| FMDS028SC | | SelfControl (SC) | Single battery | RAL 9003 | € | no | high | no | unlimited | itself |

As of: 17.05.2025 - Subject to technical changes and errors.