



Art.-Nr: FMDS028SC
Emergency light Self-contained
Surface mounting, SelfControl (SC), 8 h, , IP65, Zinc die-cast,
White

Robust zinc die-cast safety luminaire for mounting on the ceiling and for illuminating escape and emergency routes.

Automatic monitoring of safety luminaire with SelfControl.



More information

www.rp-group.com/en/item/FMDS028SC



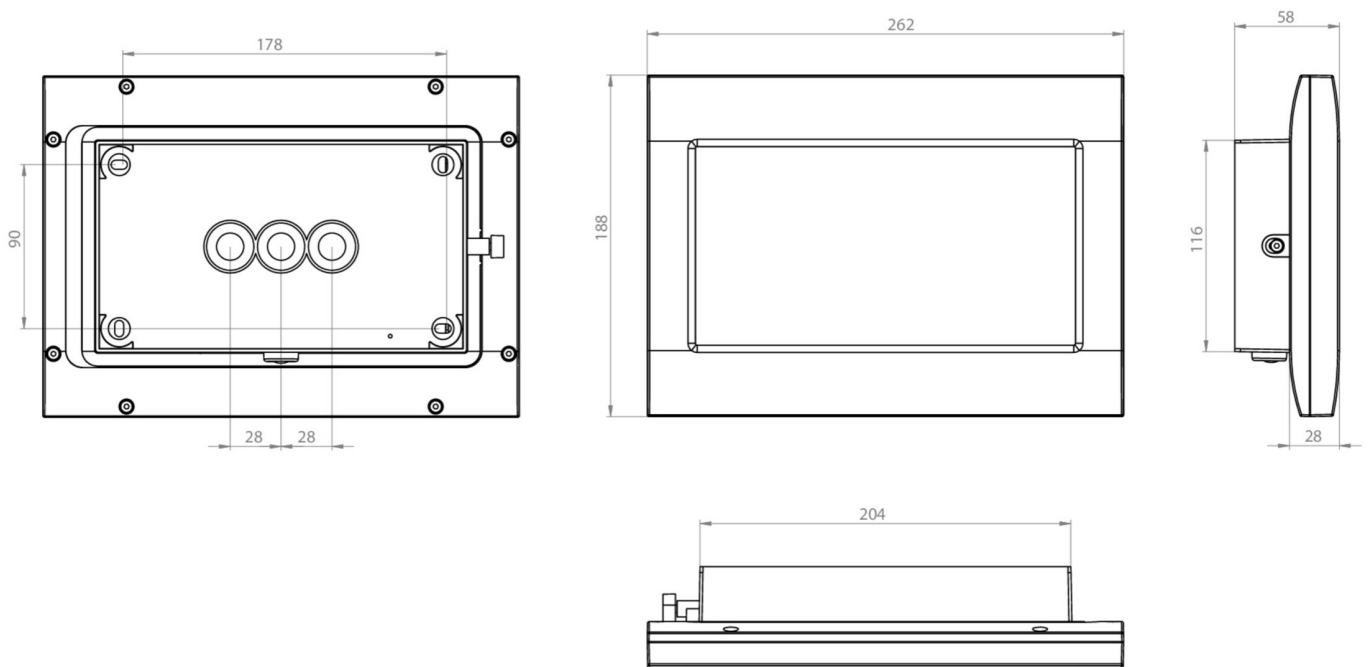
TECHNICAL DATA

Luminaire type	Emergency light
Mounting	Surface mounting
Pictograph	No
Illuminant	LED
Housing material	Zinc die-cast
Housing color	White
Protection type (IP)	IP65
Impact resistance (IK)	8
Certification	WEEE, CE, D-Sign, HACCP
Insulation class	1
Supply	Self-contained
Monitoring	SelfControl (SC)
Bridging time	8 h
Battery	NIMH 9,6 V/2,0 Ah
Operating mode	Non-maintained / maintained
Input voltageAC	230 V
Input frequency	50 / 60 Hz
Power max.	7,1 W
Power maintained	4,6 W
Power non-maintained	0,35 W
Ambient temperature maintained mode	-5 °C to 40 °C



Ambient temperature non-maintained mode	-5 °C to 40 °C
Depth	58 mm
Width	262 mm
Height	188 mm
Weight	2.23
Weight incl. packaging	2.33
Connection cross-section	2.5 mm ²
Switching input	Yes
Emergency light blocking	Yes
Battery connection	Connector
Dimming function	Yes
Luminous flux mains	430 lm
Luminous flux emergency	220 lm
Customs tariff number	94056180
EAN	4260581717650

TECHNICAL DRAWING





ACCESSORY LIST

FMDA001 -
FMDA002 -
FMDA001-AZ -
FMDA002-AZ -
FMWA001 -
FMFH -

RELATED PRODUCTS

Art.-No.	Image	Monitoring	Supply	Color	Investment	Automatic log	Maintenance level	Remote maintenance	max. luminaires	Single luminaire monitoring
FMS028SC-AZ		SelfControl (SC)	Single battery	RAL 7016	€	no	high	no	unlimited	itself

As of: 17.05.2025 - Subject to technical changes and errors.