



Art.-Nr: FMDS029ML-AZ
Emergency light Centralised power supply systems
Surface mounting, Central power supply (ML), CPS, , IP65,
Zinc die-cast, Anthracite

Robust zinc die-cast safety luminaire for mounting on the ceiling and for illuminating escape and emergency routes.

Control and monitoring via central power supply system.



More information

www.rp-group.com/en/item/FMDS029ML-AZ



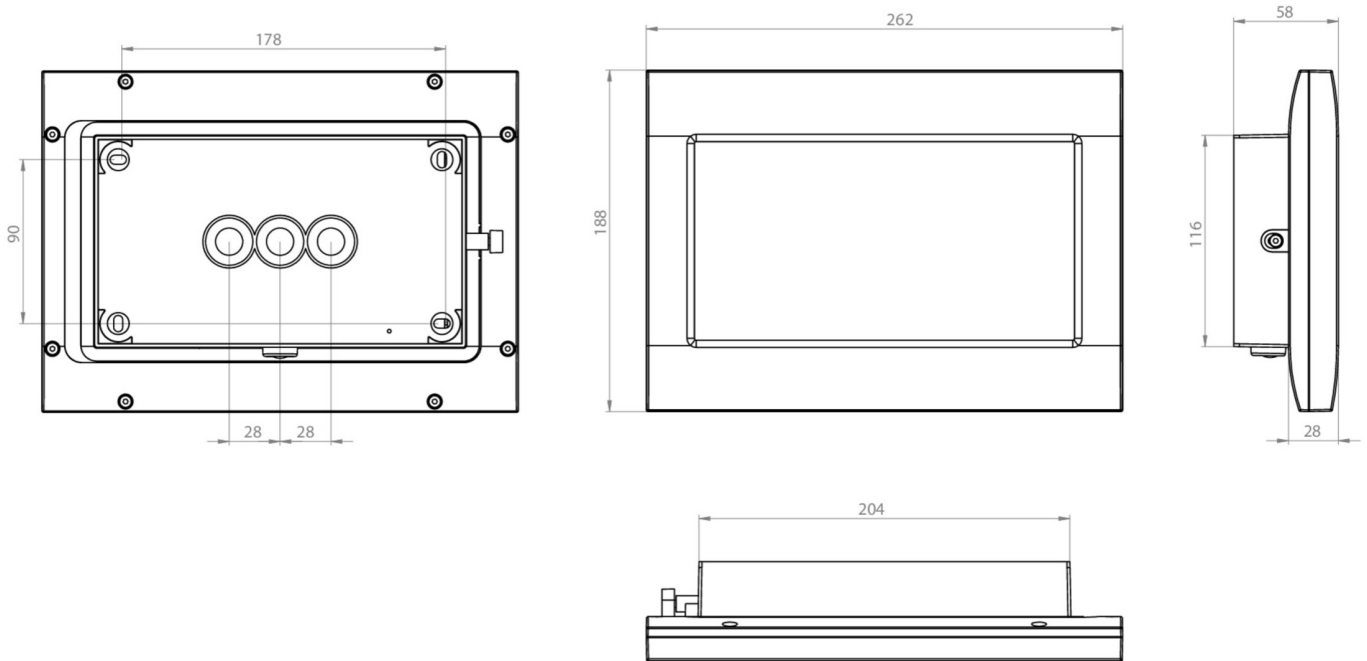
TECHNICAL DATA

Luminaire type	Emergency light
Mounting	Surface mounting
Pictograph	No
Illuminant	LED
Housing material	Zinc die-cast
Housing color	Anthracite
Protection type (IP)	IP65
Impact resistance (IK)	8
Certification	WEEE, CE, D-Sign, HACCP
Insulation class	1
Supply	Centralised power supply systems
Monitoring	Central power supply (ML)
Bridging time	CPS
Battery	/
Operating mode	single luminaire switching
Input voltage AC	230 V
Input frequency	50 / 60 Hz
Input voltage DC	216 V
Power max.	5,2 W
Power maintained	5,2 W
Power non-maintained	1,1 W



Ambient temperature maintained mode	-20 °C to 40 °C
Ambient temperature non-maintained mode	-20 °C to 40 °C
Depth	58 mm
Width	262 mm
Height	188 mm
Weight	1.99
Weight incl. packaging	2.09
Connection cross-section	2.5 mm ²
Switching input	Yes
Emergency light blocking	No
Battery connection	No
Dimming function	Yes
Luminous flux mains	520 lm
Luminous flux emergency	520 lm
Customs tariff number	94056180
EAN	4260581717704

TECHNICAL DRAWING





ACCESSORY LIST

FMDA001-AZ -

FMDA002-AZ -

FMWA001 -

FMFH -

RELATED PRODUCTS

Art.-No.	Image	Monitoring	Supply	Color	Investment	Automatic log	Maintenance level	Remote maintenance	max. luminaires	Single luminaire monitoring
FMDS029ML		Central power supply (ML)	Central power supply	RAL 9003	€€€	Yes	low	Yes	1,920 per system	central
FMDS529CC		CoreCompact 24 (CC)	Central power supply	RAL 9003	€€	Yes	low	Yes		central
FMDS529CC-AZ		CoreCompact 24 (CC)	Central power supply	RAL 7016	€€	Yes	low	Yes		central

As of: 17.05.2025 - Subject to technical changes and errors.