



Art.-Nr: GMU009ML
Exit sign Centralised power supply systems
Universal, Central power supply (ML), CPS, 24 m, IP40,
Polycarbonate, White

LED escape route luminaire in accordance with DIN EN 60598-1, EN 60598-2-22, EN 7010 and DIN EN 1838.

The versatile LED frame luminaire is available for universal mounting (wall/ ceiling). It shines with its straight forward design and its homogenous illumination of the pictogram. The variable use and toolless change of pictograms provide planning security on site.

Control and monitoring via central power supply system.



More information

www.rp-group.com/en/item/GMU009ML



TECHNICAL DATA

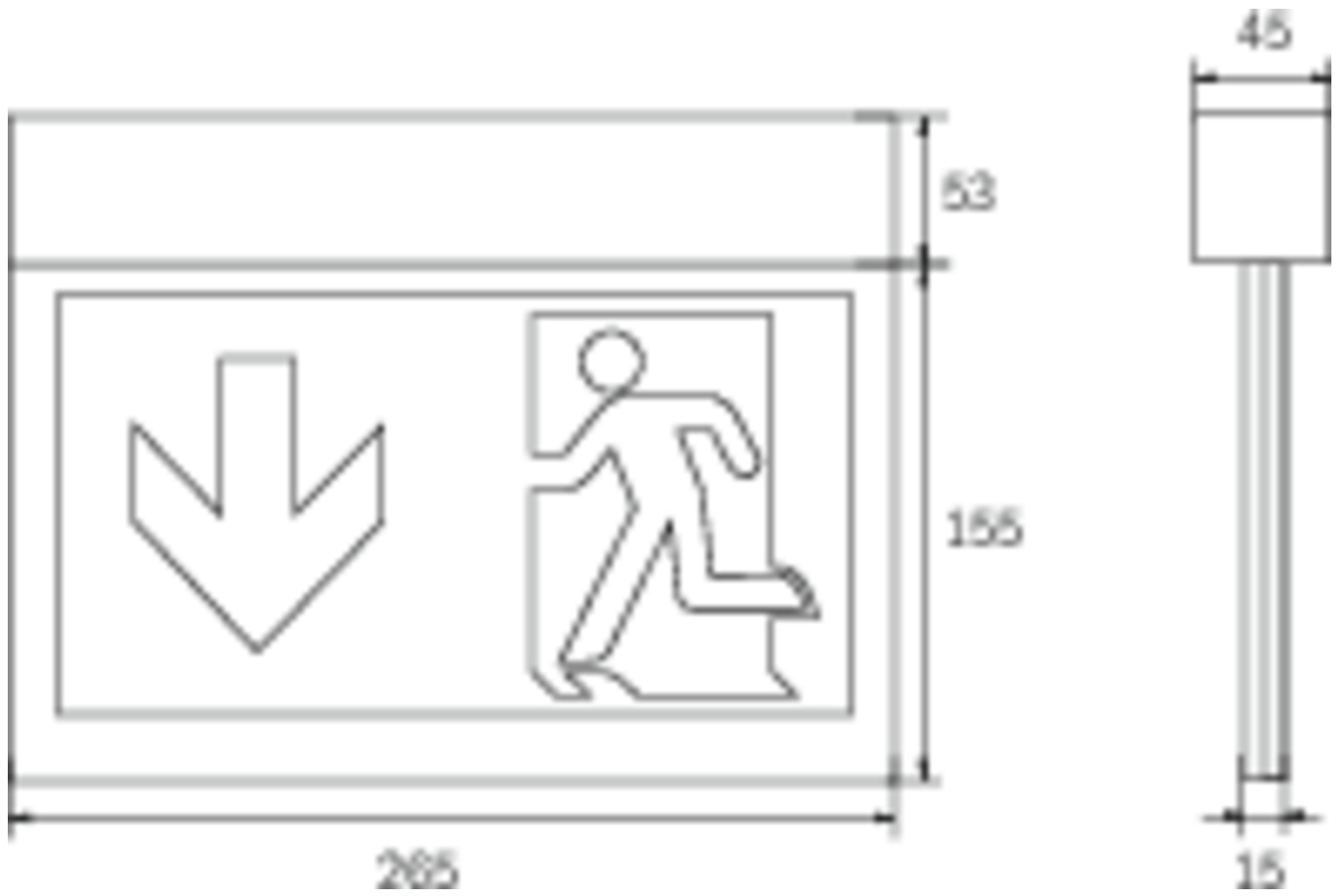
| | |
|------------------------|----------------------------------|
| Luminaire type | Exit sign |
| Mounting | Universal |
| Recognition distance | 24 m |
| Pictograph | Set |
| Illuminant | LED |
| Housing material | Polycarbonate |
| Housing color | White |
| Protection type (IP) | IP40 |
| Impact resistance (IK) | ≥ 3 |
| Certification | WEEE, CE |
| Insulation class | 2 |
| Supply | Centralised power supply systems |
| Monitoring | Central power supply (ML) |
| Bridging time | CPS |
| Battery | / |
| Operating mode | single luminaire switching |
| Input voltage AC | 230 V |
| Input frequency | 50 / 60 Hz |
| Input voltage DC | 216 V |

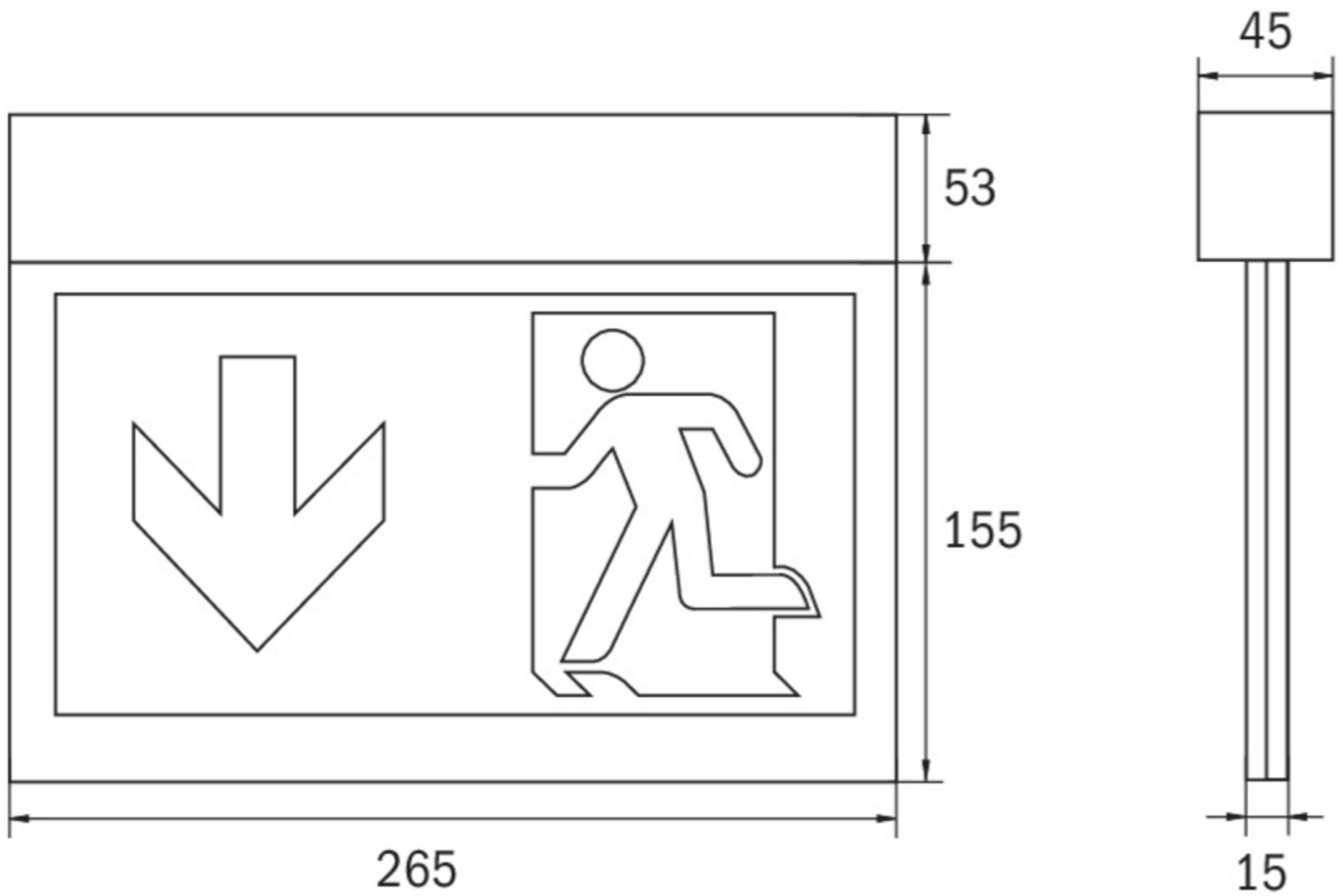


| | |
|---|---------------------|
| Power max. | 2,2 W |
| Power maintained | 2,2 W |
| Power non-maintained | 1,1 W |
| Ambient temperature maintained mode | -20 °C to 40 °C |
| Ambient temperature non-maintained mode | -20 °C to 40 °C |
| Depth | 45 mm |
| Width | 265 mm |
| Height | 208 mm |
| Weight | 0.74 |
| Weight incl. packaging | 0.87 |
| Connection cross-section | 2.5 mm ² |
| Switching input | Yes |
| Emergency light blocking | No |
| Battery connection | No |
| Dimming function | Yes |
| Luminous flux mains | 32 lm |
| Luminous flux emergency | 32 lm |
| Customs tariff number | 94056120 |
| EAN | 4260349828956 |



TECHNICAL DRAWING





RELATED PRODUCTS

| Art.-No. | Image | Monitoring | Supply | Color | Investment | Automatic log | Maintenance level | Remote maintenance | max. luminaires | Single luminaire monitoring |
|----------|-------|------------|--------|-------|------------|---------------|-------------------|--------------------|-----------------|-----------------------------|
|----------|-------|------------|--------|-------|------------|---------------|-------------------|--------------------|-----------------|-----------------------------|

As of: 16.05.2025 - Subject to technical changes and errors.