



Art.-Nr: GXW009ML
Exit sign Centralised power supply systems
Wall mounting, Central power supply (ML), CPS, 30 m, IP40,
Polycarbonate, White

LED escape route luminaire in accordance with DIN EN 60598-1, EN 60598-2-22, EN 7010 and DIN EN 1838.

The versatile LED frame luminaire is available for wall mounting. It shines with its straightforward design and its homogenous illumination of the pictogram. The variable use and toolless change of pictograms provide planning security on site.

Control and monitoring via central power supply system.



More information

www.rp-group.com/en/item/GXW009ML



TECHNICAL DATA

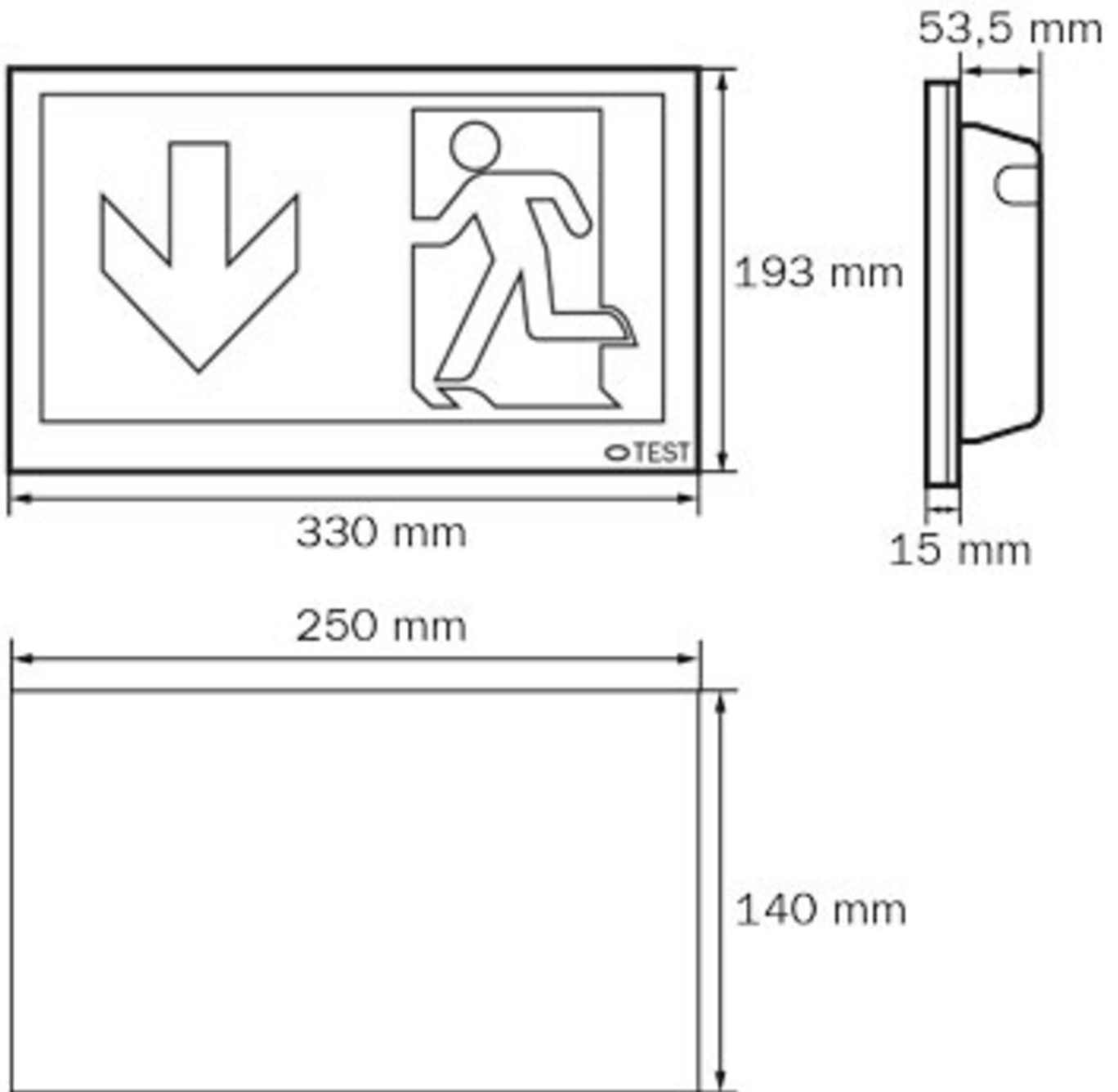
Luminaire type	Exit sign
Mounting	Wall mounting
Recognition distance	30 m
Pictograph	Set
Illuminant	LED
Housing material	Polycarbonate
Housing color	White
Protection type (IP)	IP40
Impact resistance (IK)	≥ 3
Certification	WEEE, CE
Insulation class	2
Supply	Centralised power supply systems
Monitoring	Central power supply (ML)
Bridging time	CPS
Battery	/
Operating mode	single luminaire switching
Input voltage AC	230 V
Input frequency	50 / 60 Hz
Input voltage DC	216 V



Power max.	4,2 W
Power maintained	4,2 W
Power non-maintained	1,1 W
Ambient temperature maintained mode	-20 °C to 40 °C
Ambient temperature non-maintained mode	-20 °C to 40 °C
Depth	69 mm
Width	330 mm
Height	193 mm
Installation length	250 mm
Installation width	140 mm
Installation height	54 mm
Weight	1.11
Weight incl. packaging	1.23
Connection cross-section	2.5 mm ²
Switching input	Yes
Emergency light blocking	No
Battery connection	No
Dimming function	Yes
Luminous flux mains	120 lm
Luminous flux emergency	120 lm
Customs tariff number	94056120
EAN	4260349829014



TECHNICAL DRAWING



RELATED PRODUCTS

Art.-No.	Image	Monitoring	Supply	Color	Investment	Automatic log	Maintenance level	Remote maintenance	max. luminaires	Single luminaire monitoring
----------	-------	------------	--------	-------	------------	---------------	-------------------	--------------------	-----------------	-----------------------------

As of: 16.05.2025 - Subject to technical changes and errors.