

Art.-Nr: IL-IP65-W

This surface-mounted housing offers existing IL luminaires resistance to water and dust. IL luminaires can thereby also be mounted in damp or dusty locations, such as in cold stores.



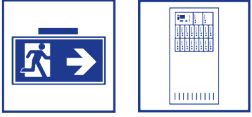
More information

www.rp-group.com/en/item/IL-IP65-W

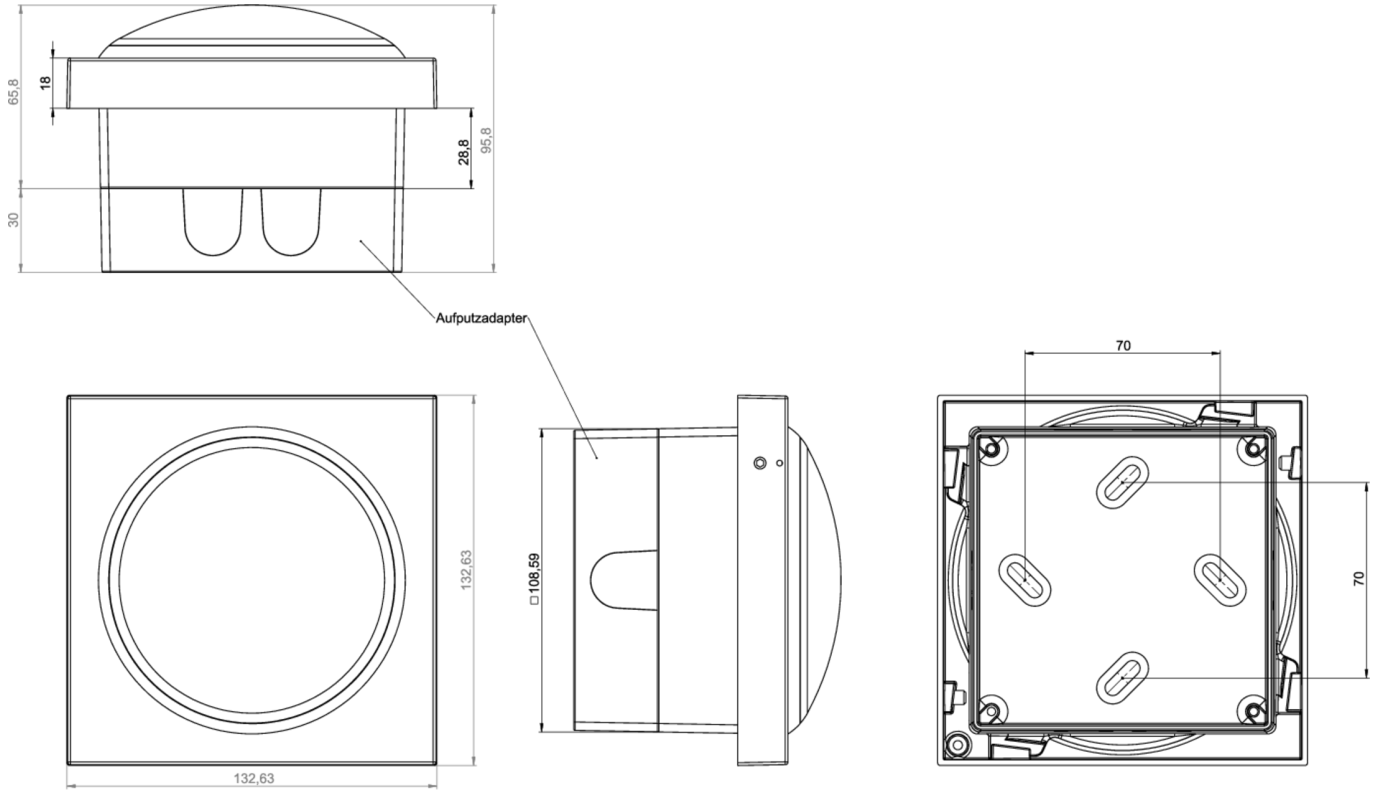


TECHNICAL DATA

Depth	130 mm
Width	130 mm
Height	75 mm
Weight	1.02 kg
Customs tariff number	94059900
EAN	4260349824422



TECHNICAL DRAWING



As of: 08.04.2025 - Subject to technical changes and errors.