

Art.-Nr: ILD-APA-02-SW
IL surface-mounted adapter
IL surface-mounted adapter, version 2, injection moulding,
black

Adapter suitable for the ILD luminaire so that lateral cable entry is possible with surface-mounted cabling.



More information

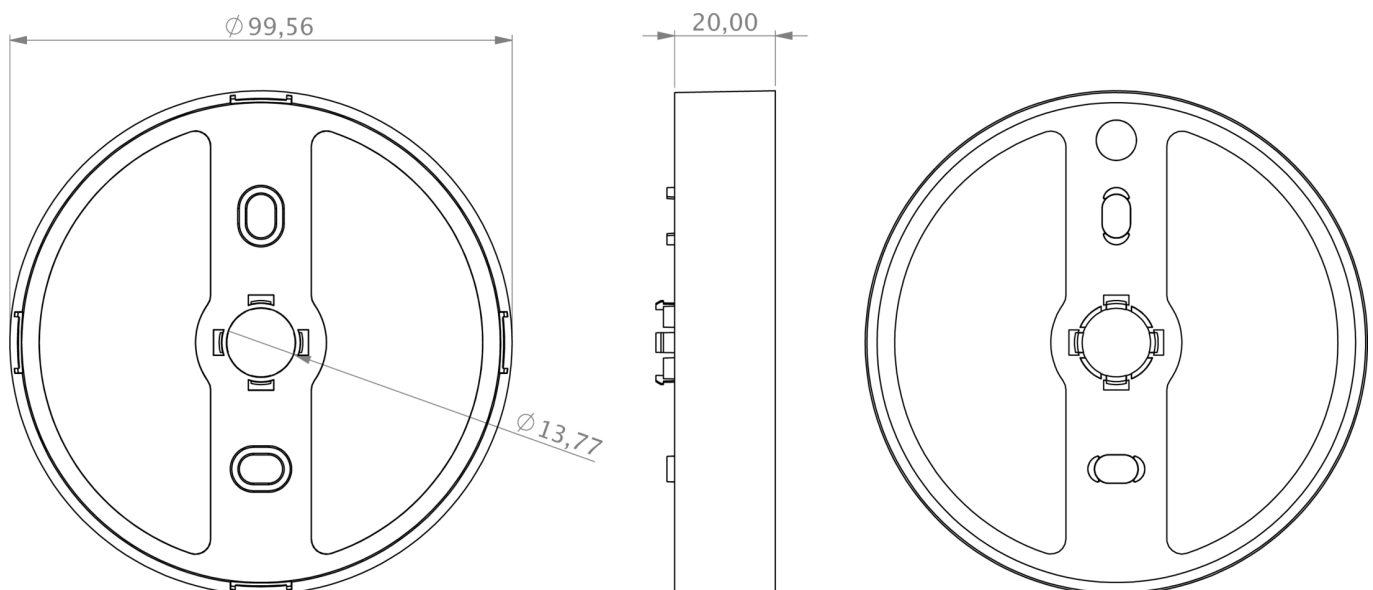
www.rp-group.com/en/item/ILD-APA-02-SW



TECHNICAL DATA

Depth	100 mm
Width	100 mm
Height	20 mm
Weight	0.15 kg
Customs tariff number	39269097
EAN	4260766557385

TECHNICAL DRAWING



As of: 15.04.2025 - Subject to technical changes and errors.