

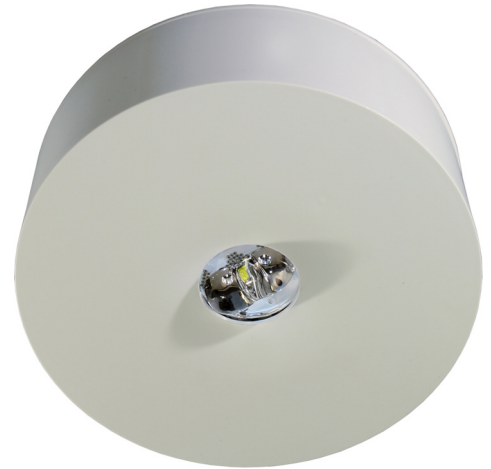


Art.-Nr: ILDF029
Emergency light Centralised power supply systems
Surface mounting, Without monitoring, CPS, , IP40,
Polycarbonate, White

Discreet plastic safety luminaire for fitting on the ceiling. The round safety luminaire, which adapts to the ceiling design.

Thanks to the snap-in mechanism between the upper and lower part, the luminaire has a harmonious look and appears closed all the way round. The luminaire is connected to the mains in the ceiling section. When closed, the luminaire is powered via contact plugs. This greatly simplifies mounting and makes convenient connection possible despite the small size of the luminaire.

The innovative integrated lens holder with a rapid fitting fixture permits the flexible use of various lens types. Using the right lens allows the distribution of light to be matched perfectly to the application and simplifies illumination which satisfies all relevant standards. A round lens and hall lens are supplied with every luminaire, allowing it to be adapted perfectly to the respective mounting situation. Other lenses, such as a spotlight lens, beam lens or H lens, are available as options.



More information
www.rp-group.com/en/item/ILDF029



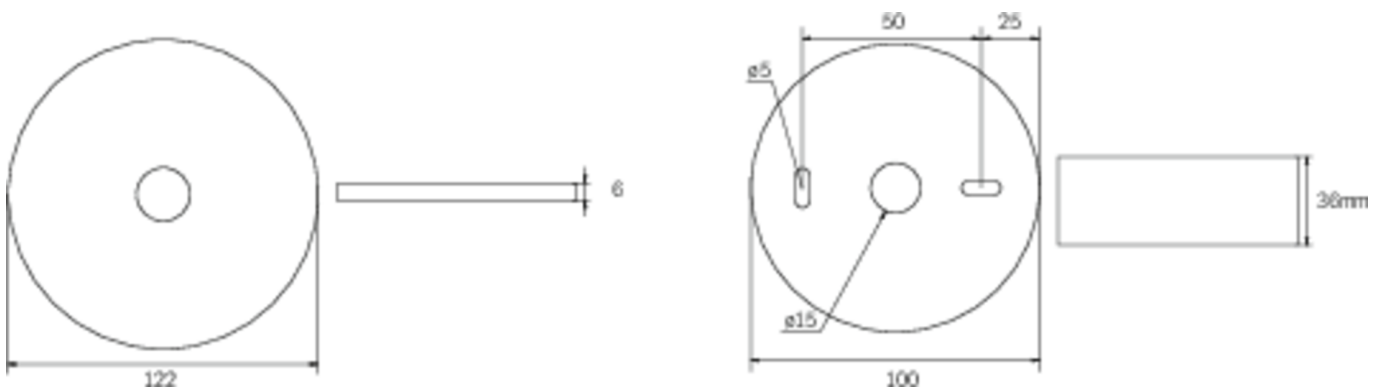
TECHNICAL DATA

Luminaire type	Emergency light
Mounting	Surface mounting
Illuminant	LED
Housing material	Polycarbonate
Housing color	White
Protection type (IP)	IP40
Impact resistance (IK)	≥ 3
Certification	WEEE, CE, TÜV Rheinland Type approved, ENEC
Insulation class	2
Supply	Centralised power supply systems
Monitoring	Without monitoring
Bridging time	CPS
Battery	/
Operating mode	single luminaire switching



Input voltage AC	230 V
Input frequency	50 / 60 Hz
Input voltage DC	216 V
Power max.	4,6 W
Power maintained	4,6 W
Power non-maintained	1,2 W
Ambient temperature maintained mode	-20 °C to 30 °C
Ambient temperature non-maintained mode	-20 °C to 40 °C
Height	36 mm
Diameter	100 mm
Weight	0.11
Weight incl. packaging	0.15
Connection cross-section	2.5 mm ²
Switching input	No
Emergency light blocking	No
Battery connection	No
Dimming function	Yes
Luminous flux mains	360 lm
Luminous flux emergency	360 lm
Customs tariff number	94056120
EAN	4260659561833

TECHNICAL DRAWING





ACCESSORY LIST

ILD-APA-02 - IL surface-mounted adapter

IL-IK10-AZ -

IL-IK10-W -

ILDE - Mounting frame

ILB1 - IL top part

ILB2 - IL top part

BALLPLX-ILD - Wire mesh surround

IL-IP65-K - Surface-mounted housing

As of: 17.05.2025 - Subject to technical changes and errors.