



Emergency luminaire Art.-No.: ILDL423WL-SW-3P

The IL LED safety light with its unobtrusive design is a real all-rounder. It is ready for almost all requirements and always offers the right solution. The status LED within the lens does not disturb the homogenous look of the luminaire. The innovative integrated lens carrier with quick-mounting device enables the flexible use of different lens types depending on the application. Round and corridor lenses are already included in the scope of delivery for each light and enable perfect adaptation to the respective installation situation. All versions of the IL are available for surface and recessed mounting.

The pre-assembled 3-phase adapter allows tool-free installation in common 3-phase rails, such as Nordic Aluminium GLOBAL pro (formerly NOKIA) XTS, XTTS and XTSC.



TECHNICAL DATA

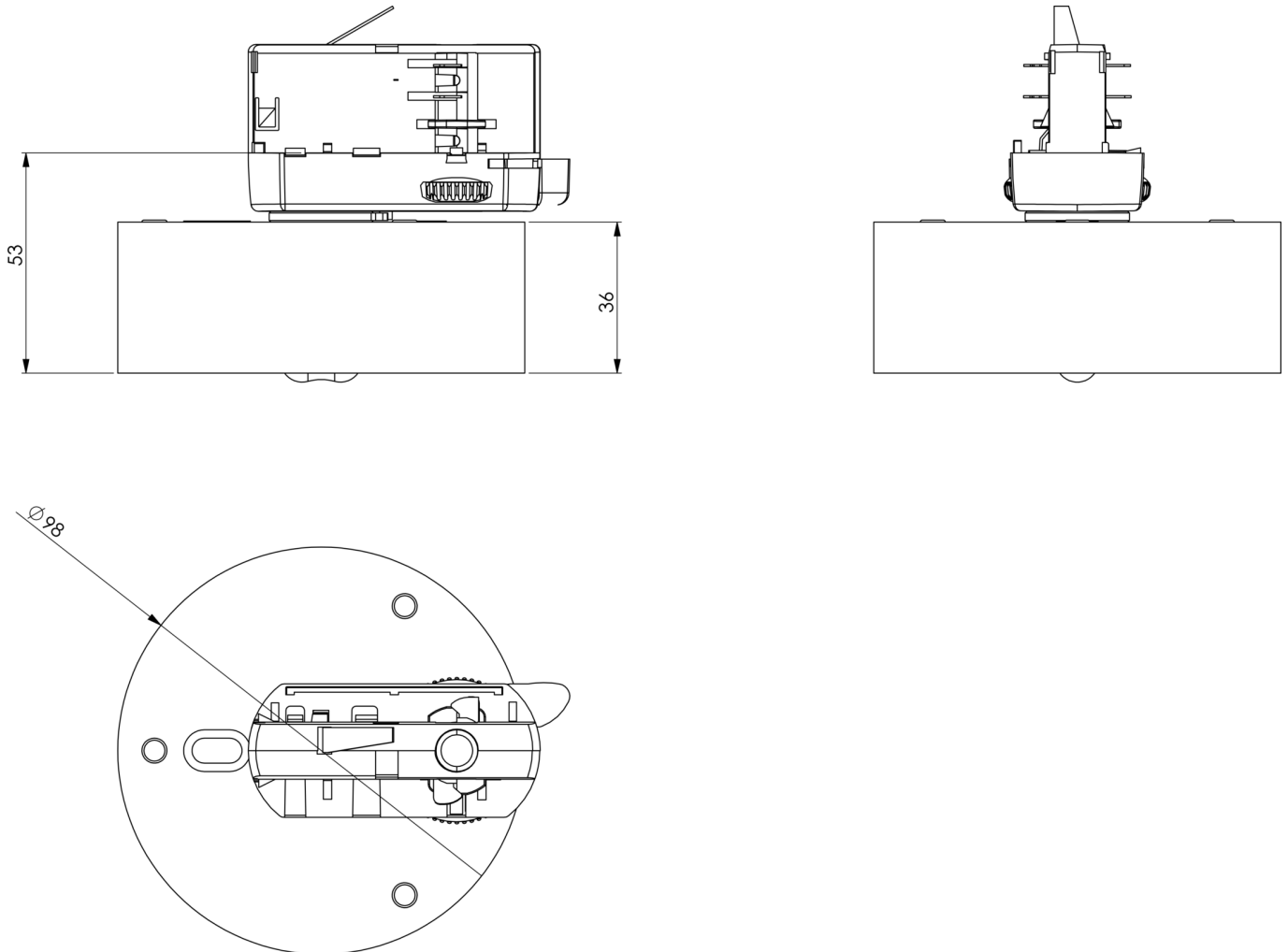
Luminaire type	Emergency luminaire
Mounting	3-phase rail
Pictograph	No
Illuminant	LED
Housing material	Polycarbonate
Colour	RAL 9005
Mechanical rating IP	40
Impact resistance IK	≥ 3
Protection class	2
Supply	Single battery
Monitoring	WL - Wireless Professional
Operation time	3 h
Battery	3.2V / 3.3 Ah LiFePO4
Operation mode	maintained/non-maintained mode
Input Voltage AC	230 V
Input Frequency Hz	50 / 60 Hz
Power consumption max.	3,4 W
Power consumption maintained	2,3 W
Power consumption non-maintained	0,4 W
Ambient temperature maintained mode	-5 °C / 40 °C



Ambient temperature non-maintained mode	-5 °C / 40 °C
Height	36 mm
Diameter	100 mm
Weight	0.19 kg
Weight incl. Packaging	0.25 kg
Connection cross-section	2.5 mm
Switching input L'	Yes
Emergency light blocking	No
Battery connector	Plug
Dimming function	Yes
Luminous flux mains mode	130 lm
Luminous flux emergency mode	250 lm
Customs tariff number	94056120
Coutry of origin	Germany
EAN	4260682155641



TECHNICAL DRAWING



ACCESSORIES

- LSYS-B4 - 4x Beam lens for lights with a lens system, for
- LSYS-F4 - 4x corridor lenses for luminaires with lens
- LSYS-H4 - 4x h-lenses for luminaires with lens
- LSYS-R4 - 4x round lenses for luminaires with lens
- LSYS-S4 - 4x Spotlens for luminaires with lens system.